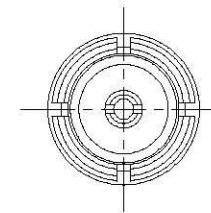
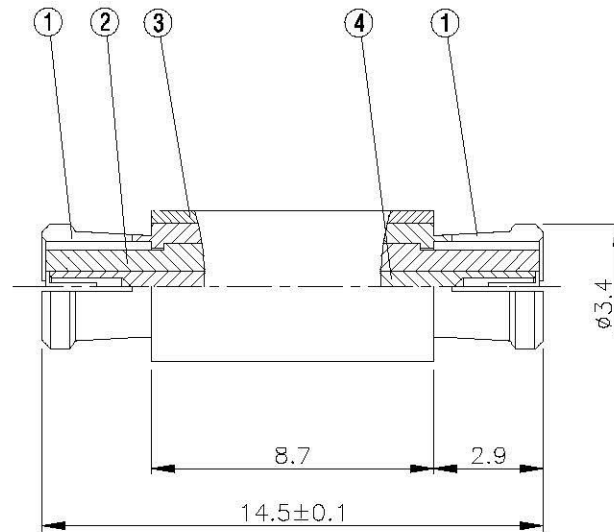
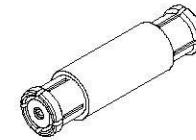


NO	DESCRIPTION	MATERIAL	Q'TY	FINISH	REMARK
1	BODY	BE CU	2	GOLD	B-SMP1364-G
2	INSULATION	TEFLON	1	TEFLON	I-0639T
3	BODY 2	BRASS	1	GOLD	B-SMP1262-G
4	PIN	BE CU	1	GOLD	P-SMP0936-G



	 <small>www.allconnectors.de info@allconnectors.de</small> <small>tel: +49 7141 7042000 fax: +49 7141 7002004</small> <small>70736 Filderstadt · Germany seit 1988 in e.v. 215</small>	DRAWN  DATE 97.11.07	DIMENSIONS ARE IN MILLIMETERS		REVISION	
	TITLE SMP FEMALE -FEMALE ADAPTOR Nonimal Board-to-Board Distance	CHECKED  DATE	UNLESS OTHERWISE SPECIFIED TOLERANCE		DESCRIPTION	ENGINEER
	PART NO. SMP-05V8-TGG	Q.A.  DATE	0.5-5=±0.2 120-315=±1			
	DRAWING NO. SMP 05V8 TGG	APPROVAL  DATE	5-30= ±0.4 315-1000=±1.6			
		REVISION DATE	30-120±0.6 1000-2000=±2.4	SCALE 4:1	SIZE A	