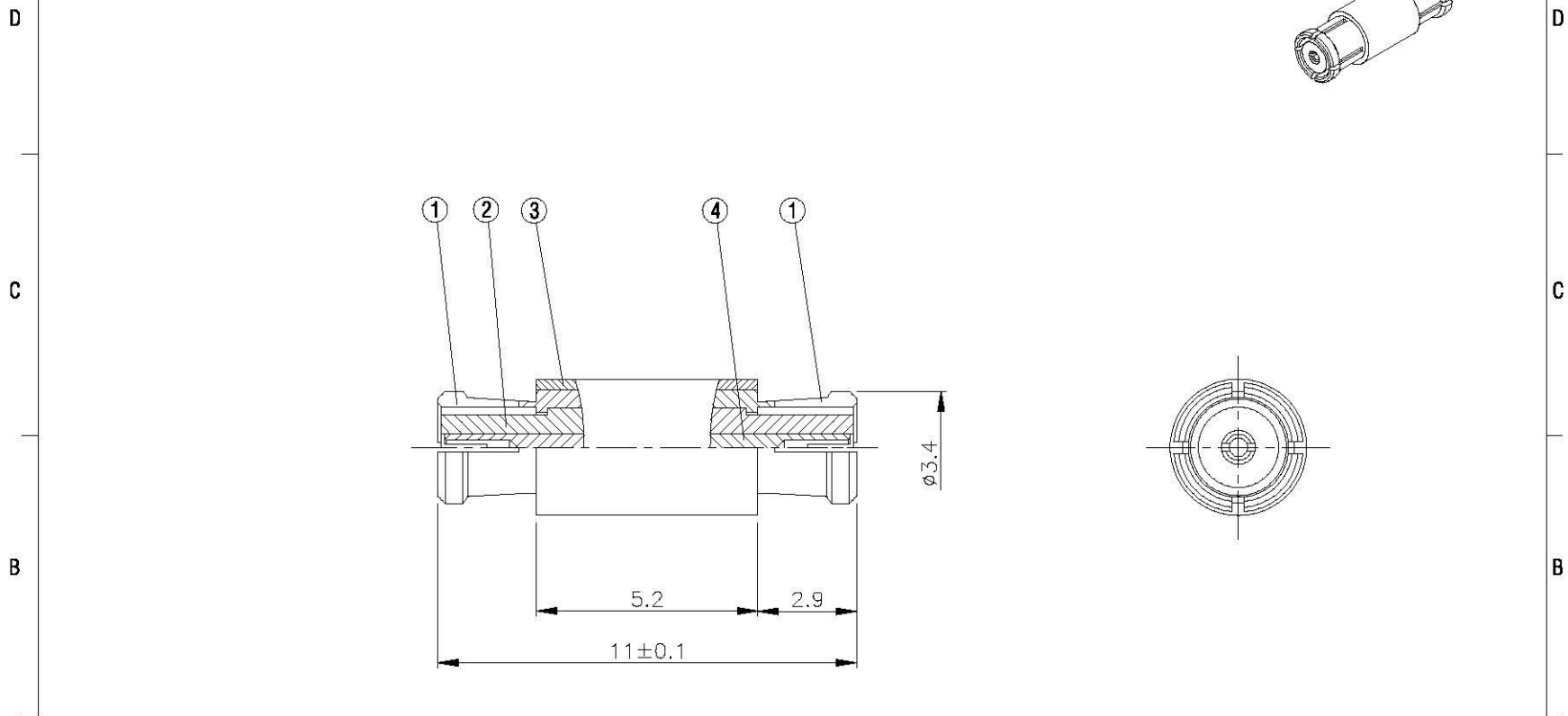
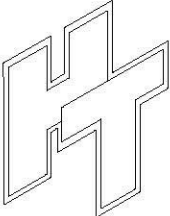


NO	DESCRIPTION	MATERIAL	Q'TY	FINISH	REMARK
1	BODY	BE CU	2	GOLD	B-SMP1364-G
2	INSULATION	TEFLON	1	TEFLON	I-0638T
3	BODY 2	BRASS	1	GOLD	B-SMP1261-G
4	PIN	BE CU	1	GOLD	P-SMP0935-G



	<b>Allconnectors</b> <small>www.allconnectors.de Tel.: 0049 711 7005903 E-Mail: info@allconnectors.de</small>	DRAWN	蘇志欣	DATE	97.11.07	DIMENSIONS ARE IN MILLIMETERS			REVISION	
	<b>TITLE SMP FEMALE -FEMALE ADAPTOR</b> <b>Nonimal Board-to-Board Distance</b> <b>PART NO. SMP-05V7-TGG</b> <b>DRAWING NO. SMP 05V7 TGG</b>	CHECKED	蘇姿潔	DATE		<b>UNLESS OTHERWISE SPECIFIED TOLERANCE</b> 0.5-5=±0.2    120-315=±1 5-30= ±0.4    315-1000=±1.6 30-120±0.6    1000-2000=±2.4			DESCRIPTION	ENGINEER
		Q.A.	林妙樺	DATE						
		APPROVAL	徐燦霖	DATE						
		REVISION		DATE						
		SCALE	4:1	SIZE	A					