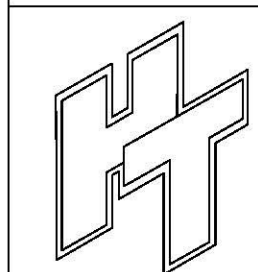
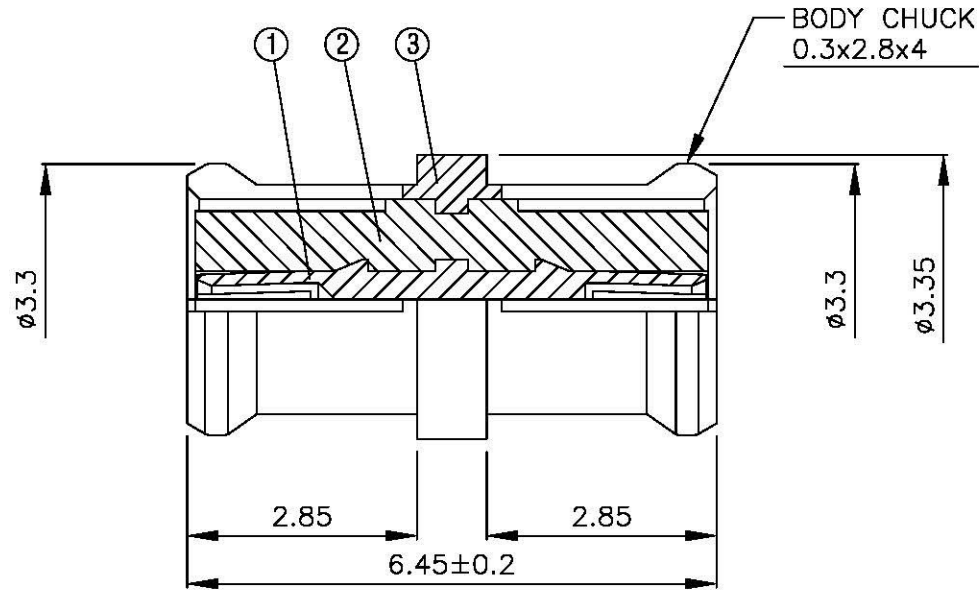
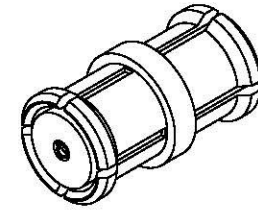


NO	DESCRIPTION	MATERIAL	Q'TY	FINISH	REMARK
1	PIN	BE CU	1	GOLD	P-SMP0203-G
2	INSULATION	TEFLON	2	TEFLON	I-0157T
3	BODY 1	BE CU	1	GOLD	B-SMP0328-G



All Connectors

www.allconnectors.de info@allconnectors.de
Tel.: 0049 744 7009003 Fax: 0049 744 7009004
70758 Filderstadt - Germany semmelmartn.35

TITLE SMP FEMALE -FEMALE ADAPTOR

PART NO. SMP-05-TGG

DRAWING NO. SMP 05 TGG

DRAWN MARY DATE 96.04.11

CHECKED 黄巧君 DATE

Q.A. 蘇姿潔 DATE

APPROVAL 徐燦霖 DATE

REVISION DATE

DIMENSIONS ARE IN MILLIMETERS

UNLESS OTHERWISE SPECIFIED TOLERANCE

0.5-5=±0.2 120-315=±1
5-30= ±0.4 315-1000=±1.6
30-120±0.6 1000-2000=±2.4

SCALE 4:1 SIZE A

REVISION

DESCRIPTION ENGINEER