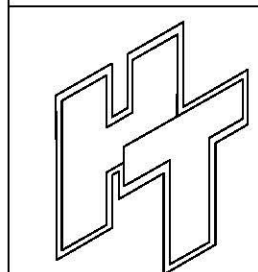
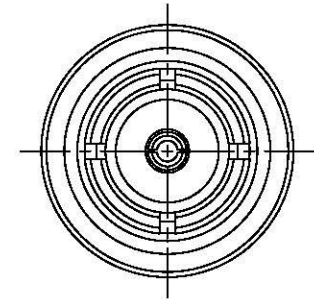
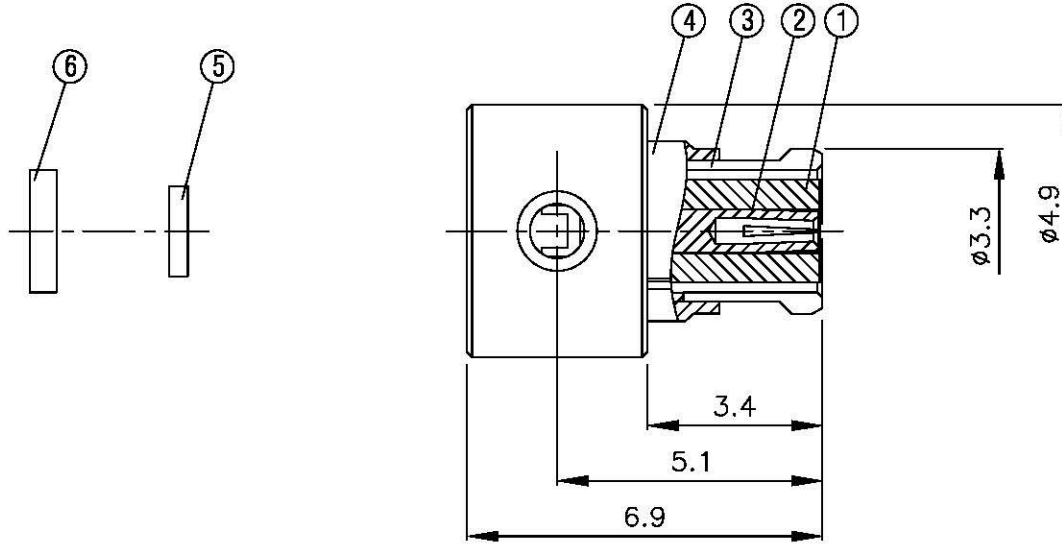
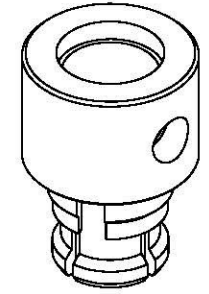
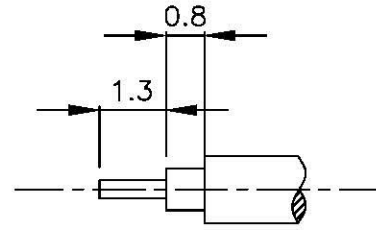


NO	DESCRIPTION	MATERIAL	Q'TY	FINISH	REMARK
1	INSULATION 1	TEFLON	1	TEFLON	I-0461T
2	PIN	BE CU	1	GOLD	P-SMP0774-G
3	BODY 1	BE CU	1	GOLD	B-SMP0940-G
4	BODY 2	BRASS	1	GOLD	B-SMP0938-G
5	INSULATION 2	TEFLON	1	TEFLON	I-0034T
6	WASHER	BRASS	1	GOLD	W-0010-G



All Connectors
 www.allconnectors.com info@allconnectors.com
 Tel: +0049 711 7009503 Fax: +0049 711 7009504
 70754 Filberstadt Germany Kettentstr. 25

TITLE SMP FEMALE SOLDER FOR M17-15 (.047)
PART NO. SMP-04V3-TGG
DRAWING NO. SMP 04V3 TGG

DRAWN MARY **DATE** 95.08.27
CHECKED 蘇姿潔 **DATE**
Q.A. 馮健華 **DATE**
APPROVAL 徐燦霖 **DATE**
REVISION **DATE**

DIMENSIONS ARE IN MILLIMETERS

UNLESS OTHERWISE SPECIFIED TOLERANCE

0.5-5=±0.2	120-315=±1
5-30=±0.4	315-1000=±1.6
30-120±0.6	1000-2000=±2.4

SCALE 4:1 **SIZE** A

REVISION	
DESCRIPTION	ENGINEER