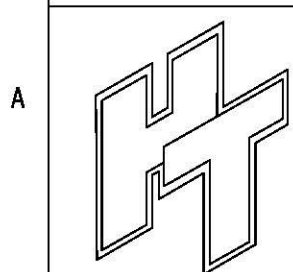
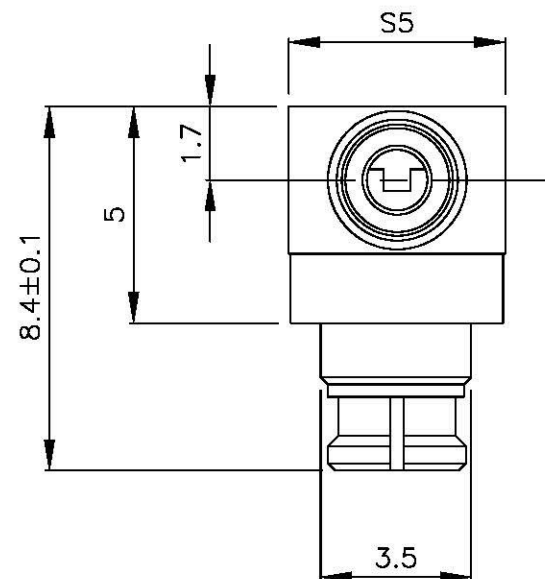
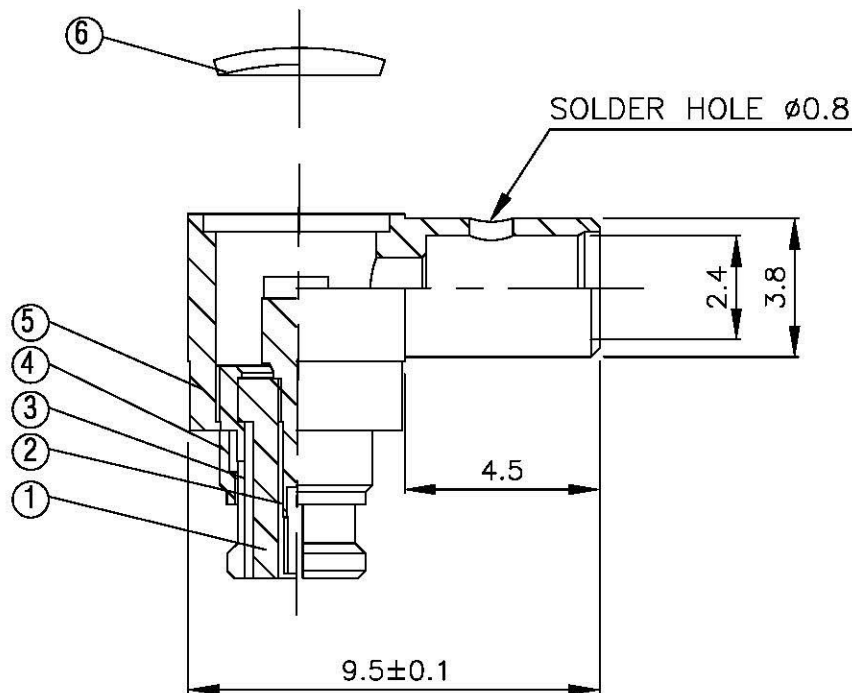
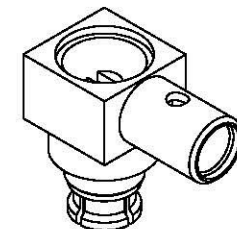
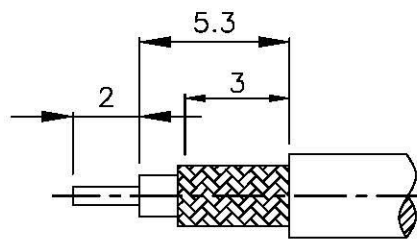


NO	DESCRIPTION	MATERIAL	Q'TY	FINISH	REMARK
1	INSULATION 1	TEFLON	1	TEFLON	I-0461T
2	PIN	BE CU	1	GOLD	P-SMP0661-G
3	BODY 1	BE CU	1	GOLD	B-SMP0941-G
4	BODY 2	BRASS	1	GOLD	B-SMP0938-G
5	BODY 3	BRASS	1	GOLD	B-SMP0942-G
6	WASHER	BRASS	1	GOLD	W-0061-G



Allconnectors
 www.allconnectors.de
 Tel.: 0049 711 706990
 20764 Hildesheim, Germany
 info@allconnectors.de
 Fax: 0049 711 706994
 Kollmerstr. 25

TITLE SMP FEMALE RIGHT ANGLE TO FLEXIBLE CABLE FOR RG-316/U
 PART NO. SMP-04LV1-TGG
 DRAWING NO. SMP 04LV1 TGG

DRAWN MARY DATE 95.08.24
 CHECKED 蘇姿潔 DATE
 Q.A. 馮健華 DATE
 APPROVAL 徐燦霖 DATE
 REVISION DATE

DIMENSIONS ARE IN MILLIMETERS
 UNLESS OTHERWISE SPECIFIED TOLERANCE
 0.5-5 = ±0.2 120-315 = ±1
 5-30 = ±0.4 315-1000 = ±1.6
 30-120 = ±0.6 1000-2000 = ±2.4
 SCALE 4:1 SIZE A

REVISION
 DESCRIPTION ENGINEER

D

C

B

A

D

C

B

A

4

3

2

1