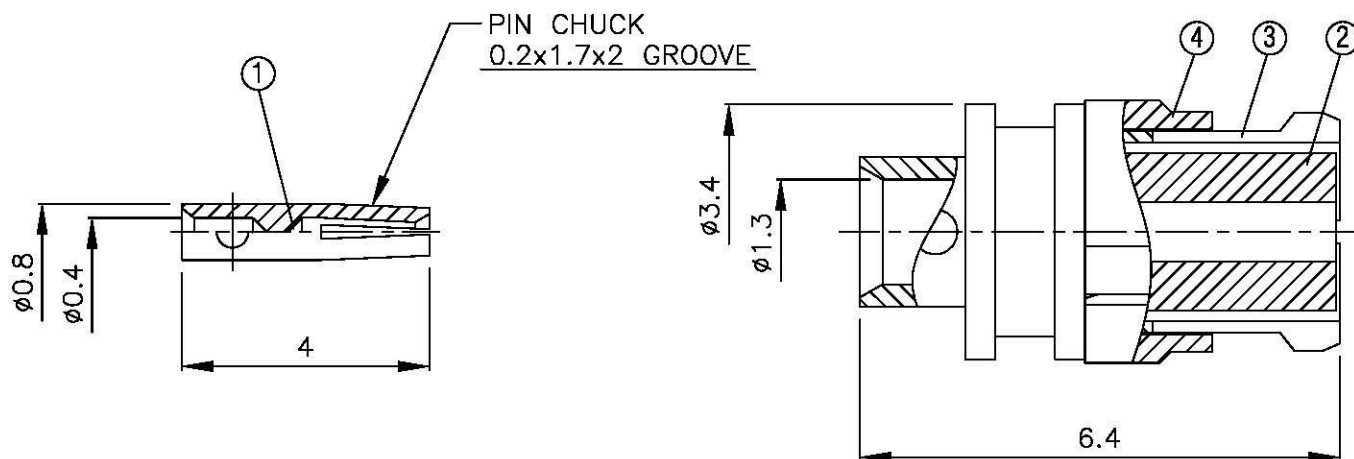
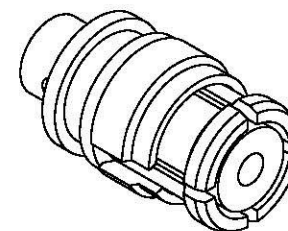


NO	DESCRIPTION	MATERIAL	Q'TY	FINISH	REMARK
1	PIN	BE CU	1	GOLD	P-SMP0666-G
2	INSULATION	TEFLON	1	TEFLON	I-0464T
3	BODY	BE CU	1	GOLD	B-SMP0949-G
4	WASHER 1	BE CU	1	GOLD	B-SMP0938-G



		DRAWN	MARY	DATE	94.06.28	DIMENSIONS ARE IN MILLIMETERS		REVISION			
	<small>www.allconnectors.com Tel: 0049 711 7009503 70794 Filberstadt - Germany</small>	<small>info@allconnectors.com Fax: 0049 711 7009504 Kettnerstr. 25</small>	CHECKED	蘇姿潔	DATE						UNLESS OTHERWISE SPECIFIED TOLERANCE
	TITLE		SMP FEMALE STRAIGHT TO SEMI-RIGID CABLE (.047)	Q.A.	馮健華	DATE					
	PART NO.		SMP-01V3-TGG	APPROVA	徐燦霖	DATE		0.5-5=±0.2	120-315=±1		
	DRAWING NO.		SMP 01V3 TGG	REVISION		DATE		5-30= ±0.4	315-1000=±1.6		
							30-120±0.6	1000-2000=±2.4			
							SCALE	4:1	SIZE	A	