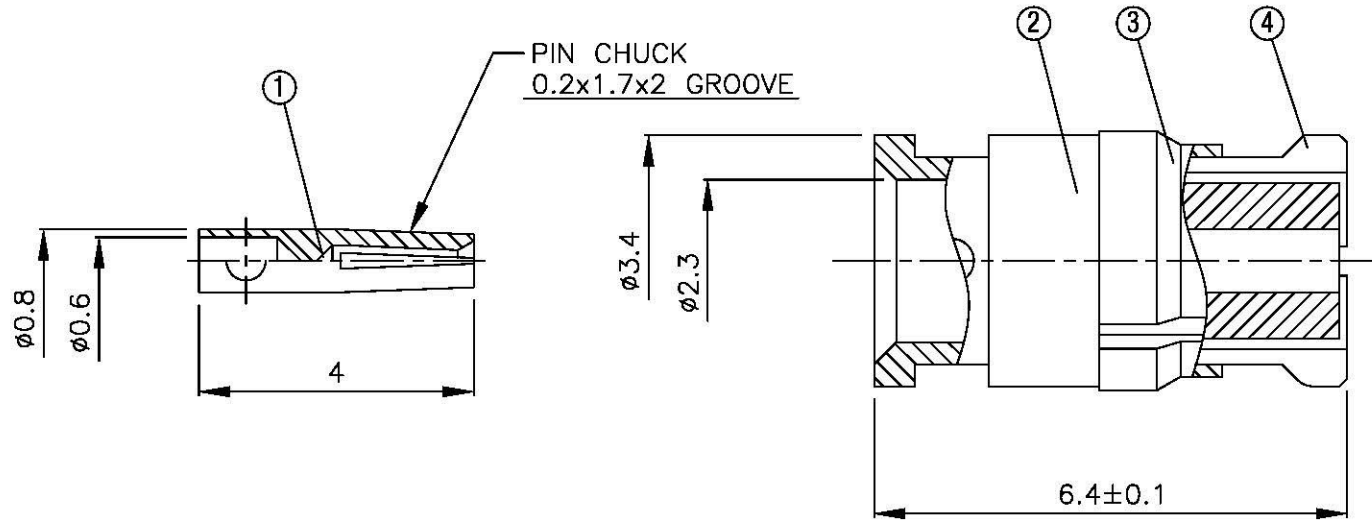
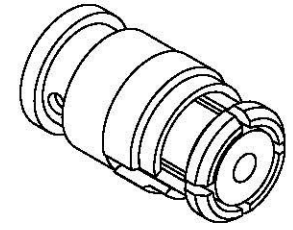
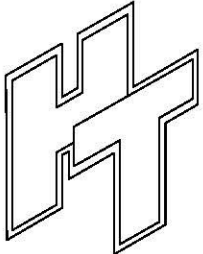



NO	DESCRIPTION	MATERIAL	Q'TY	FINISH	REMARK
1	PIN	BE CU	1	GOLD	P-SMP0243-G
2	INSULATION	TEFLON	1	TEFLON	I-0464T
3	BODY	BE CU	1	GOLD	B-SMP0374-G
4	WASHER	BE CU	1	GOLD	B-SMP0938-G



		DRAWN MARY DATE 94.06.29	DIMENSIONS ARE IN MILLIMETERS		REVISION		
	<small>www.allconnectors.de Tel: 0049 711 899515 70744 Eilderstadt - Germany</small>	<small>Info@allconnectors.de Fax: 0049 711 899514 Kortemarkstr. 25</small>	CHECKED 蘇姿潔 DATE	UNLESS OTHERWISE SPECIFIED TOLERANCE		DESCRIPTION	ENGINEER
	TITLE SMP FEMALE STRAIGHT TO SEMI-RIGID CABLE (.085)		Q.A. 馮健華 DATE			0.5-5=±0.2 120-315=±1	
	PART NO. SMP-01V1-TGG		APPROVAL 徐燦霖 DATE	5-30= ±0.4 315-1000=±1.6			
	DRAWING NO. SMP 01V1 TGG		REVISION DATE	30-120±0.6 1000-2000=±2.4			
			SCALE 4:1	SIZE A			