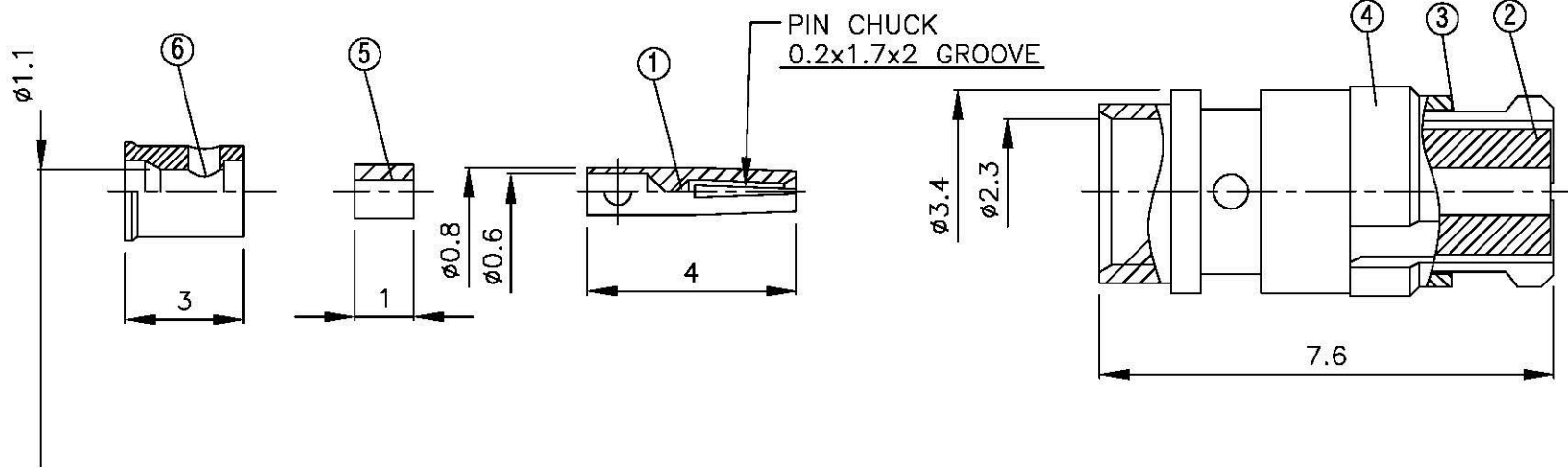
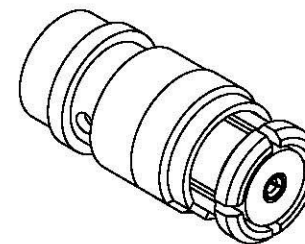
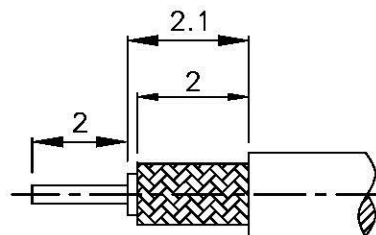


NO	DESCRIPTION	MATERIAL	Q'TY	FINISH	REMARK
1	PIN	BE CU	1	GOLD	P-SMP0243-G
2	INSULATION	TEFLON	1	TEFLON	I-0464T
3	BODY	BE CU	1	GOLD	B-SMP0952-G
4	WASHER	BE CU	1	GOLD	B-SMP0938-G
5	INSULATION	TEFLON	1	TEFLON	I-0347T
6	BODY	BRESS	1	GOLD	B-SMP0436-G



		DRAWN MARY DATE 95.11.23	DIMENSIONS ARE IN MILLIMETERS		REVISION		
	<small>www.allconnectors.de Tel.: 0049 7141 7000503 79734 Filderstadt - Germany</small>	<small>info@allconnectors.de Fax: 0049 7141 7000504 Kettnerstr. 25</small>	CHECKED 蘇姿潔 DATE	UNLESS OTHERWISE SPECIFIED TOLERANCE		DESCRIPTION	ENGINEER
	TITLE SMP FEMALE STRAIGHT TO FLEX CABLE 1.30MM CABLE	Q.A. 馮健華 DATE	0.5-5=±0.2    120-315=±1 5-30= ±0.4    315-1000=±1.6 30-120±0.6    1000-2000=±2.4				
	PART NO. SMP-01U1-TGG	APPROVAL 徐燦霖 DATE	REVISION DATE	SCALE	4:1	SIZE	A
	DRAWING NO. SMP 01U1 TGG						