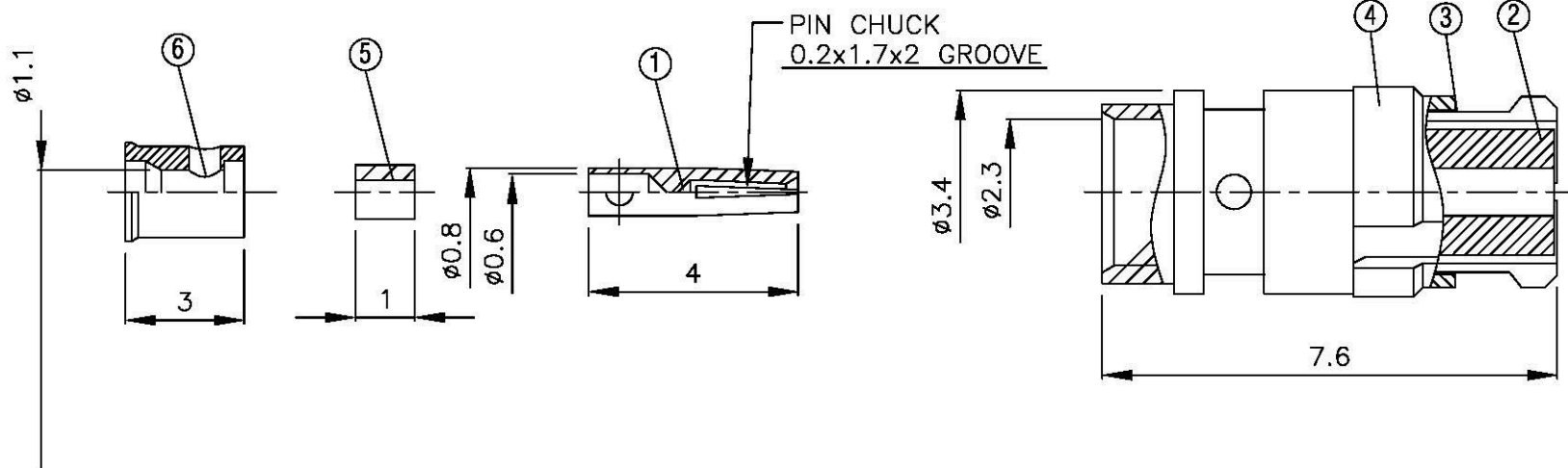
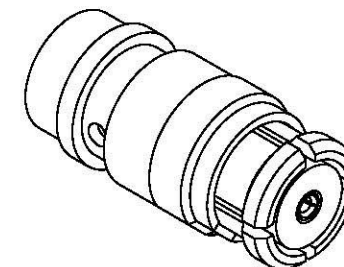
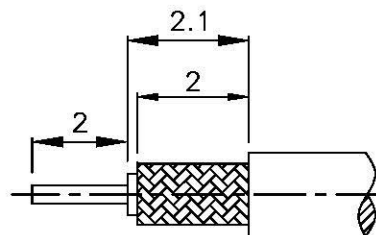


NO	DESCRIPTION	MATERIAL	Q'TY	FINISH	REMARK
1	PIN	BE CU	1	GOLD	P-SMP0243-G
2	INSULATION	TEFLON	1	TEFLON	I-0464T
3	BODY	BE CU	1	GOLD	B-SMP0952-G
4	WASHER	BE CU	1	GOLD	B-SMP0938-G
5	INSULATION	TEFLON	1	TEFLON	I-0347T
6	BODY	BRESS	1	GOLD	B-SMP0436-G



	<b>All Connectors</b>		DRAWN	MARY	DATE	95.11.23		DIMENSIONS ARE IN MILLIMETERS		REVISION	
	<small>www.allconnectors.de Tel.: 0049 711 700503 70794 Filderstadt - Germany</small>		<small>info@allconnectors.de Fax: 0049 711 700504 Kettnerstr. 25</small>		CHECKED	蘇姿潔	DATE				
	TITLE		SMP FEMALE STRAIGHT TO FLEX CABLE 1.30MM CABLE		Q.A.	馮健華	DATE				
	PART NO.		SMP-01U1-TGG		APPROVAL	徐燦霖	DATE				
	DRAWING NO.		SMP 01U1 TGG		REVISION		DATE				
				SCALE	4:1	SIZE	A				