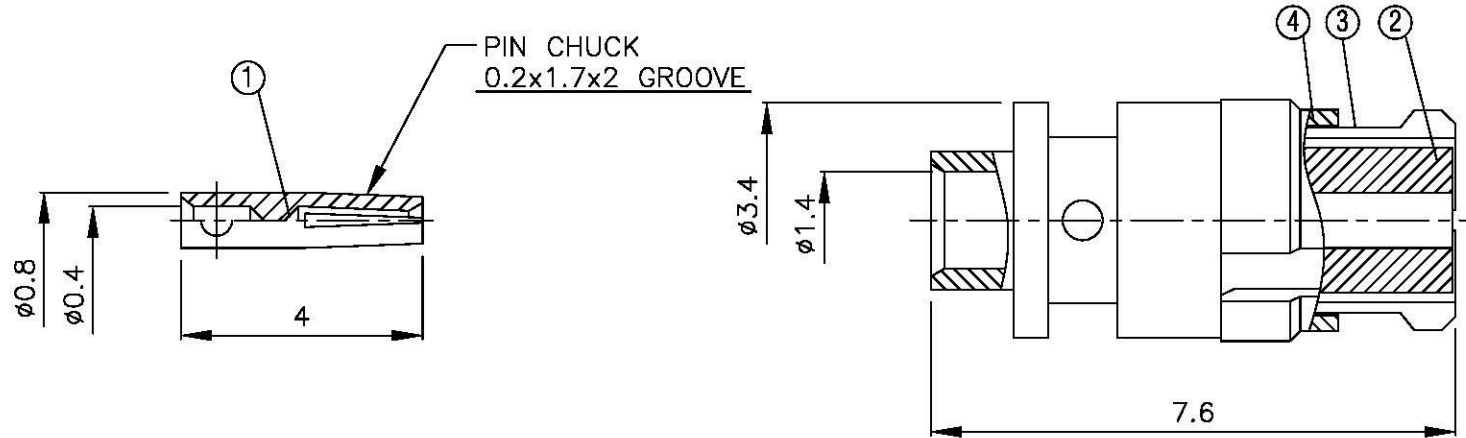
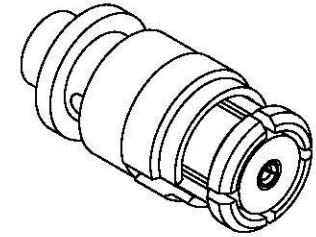


NO	DESCRIPTION	MATERIAL	Q'TY	FINISH	REMARK
1	PIN	BE CU	1	GOLD	P-SMP0666-G
2	INSULATION	TEFLON	1	TEFLON	I-0179T
3	BODY	BE CU	1	GOLD	B-SMP0954-G
4	WASHER	BE CU	1	GOLD	B-SMP0938-G



	<b>All Connectors</b> <small>www.allconnectors.de Tel: 0049 711 400200 70764 Biberach, Germany</small>	DRAWN MARY DATE 94.06.29	DIMENSIONS ARE IN MILLIMETERS		REVISION		
	TITLE SMP FEMALE STRAIGHT TO FLEX CABLE RG-178/U PART NO. SMP-01M-TGG DRAWING NO. SMP 01M TGG	CHECKED 蘇姿潔	DATE	UNLESS OTHERWISE SPECIFIED TOLERANCE 0.5-5=±0.2    120-315=±1 5-30= ±0.4    315-1000=±1.6 30-120±0.6    1000-2000=±2.4		DESCRIPTION	ENGINEER
		Q.A. 馮健華	DATE				
		APPROVAL 徐燦霖	DATE				
		REVISION	DATE				
			SCALE 4:1	SIZE A			