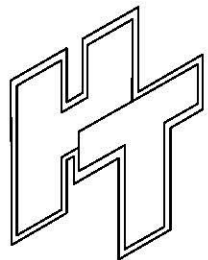
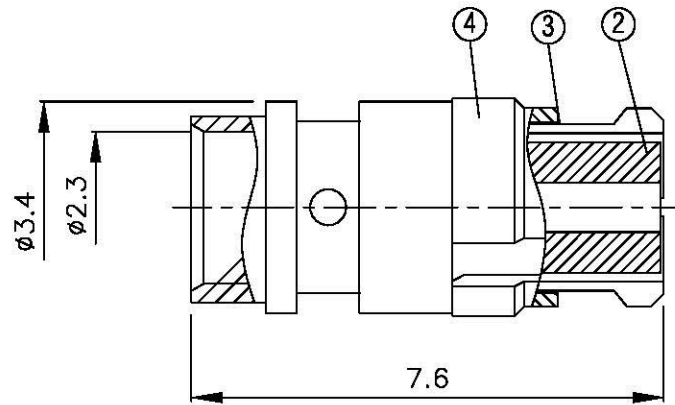
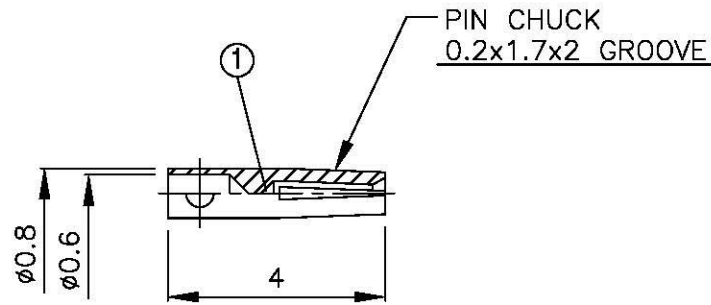
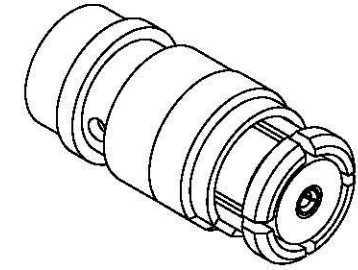


NO	DESCRIPTION	MATERIAL	Q'TY	FINISH	REMARK
1	PIN	BE CU	1	GOLD	P-SMP0243-G
2	INSULATION	TEFLON	1	TEFLON	I-0464T
3	BODY	BE CU	1	GOLD	B-SMP0952-G
4	WASHER	BE CU	1	GOLD	B-SMP0938-G



**All Connectors**

www.allconnectors.de  
Tel.: 0049 714 700908  
70794 Ellersried - Germany

info@allconnectors.de  
Fax: 0049 714 700909  
Kettnerstr. 31

TITLE SMP FEMALE STRAIGHT TO FLEX CABLE RG-316/U

PART NO. SMP-01LV1-TGG

DRAWING NO. SMP 01LV1 TGG

DRAWN	MARY	DATE	91.11.08
CHECKED	蘇姿潔	DATE	
Q.A.	馮健華	DATE	
APPROVAL	徐燦霖	DATE	
REVISION		DATE	

DIMENSIONS ARE IN MILLIMETERS

UNLESS OTHERWISE SPECIFIED TOLERANCE			
0.5-5=±0.2	120-315=±1		
5-30=±0.4	315-1000=±1.6		
30-120±0.6	1000-2000=±2.4		

SCALE 4:1 SIZE A

REVISION

DESCRIPTION	ENGINEER