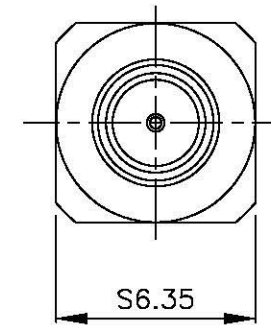
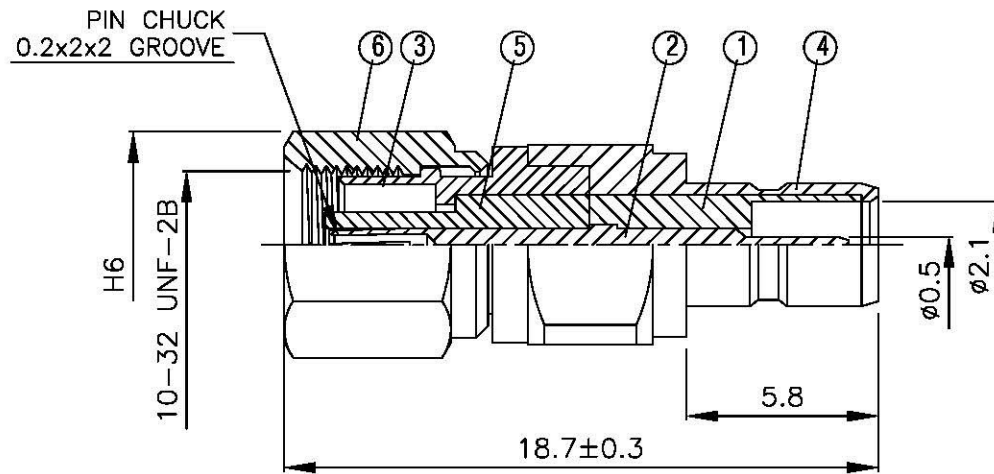
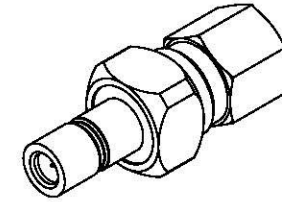


NO	DESCRIPTION	MATERIAL	Q'TY	FINISH	REMARK
1	INSULATION	TEFLON	1	TEFLON	I-0263T
2	PIN	BE CU	1	GOLD	P-SMB0356-G
3	BODY 1	BRASS	1	GOLD	B-SMC0261-G
4	BODY 2	BRASS	1	GOLD	B-SMB0549-G
5	INSULATION	TEFLON	1	TEFLON	I-0053T
6	BODY 2	BRASS	1	GOLD	B-SMC0262-G



		DRAWN	MARY	DATE	92.07.14	DIMENSIONS ARE IN MILLMETER		REVISION		
	<small> 000001100000100000 TEL: 0049 TLL 7009938 70784 FLD 012220 10000000 </small>	<small> 000001100000100000 FAX: 0049 TLL 7009934 KETTERSTR. 23 </small>	CHECKED	黃巧君	DATE		UNLESS OTHERWISE SPECIFIED TOLERANCE		DESCRIPTION	ENGINEER
	TITLE		Q.A.	蘇姿潔	DATE		0.5-5=±0.2	120-315=±1		
	PART NO.		APPROVAL	徐燦霖	DATE		5-30=±0.4	315-1000=±1.6		
	DRAWING NO.		REVISION		DATE		30-120=±0.6	1000-2000=±2.4		
						SCALE	4:1	SIZE	A	