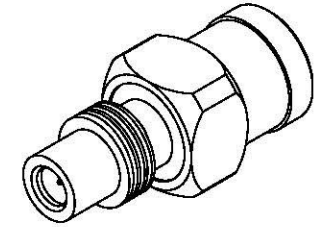
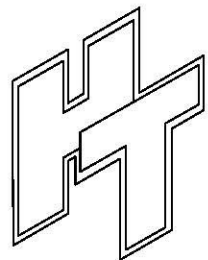
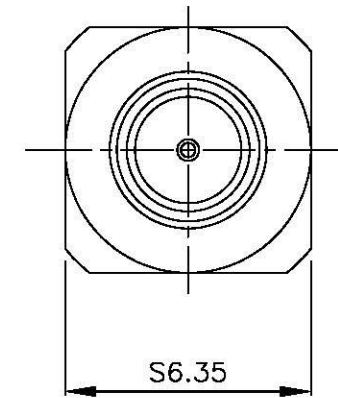
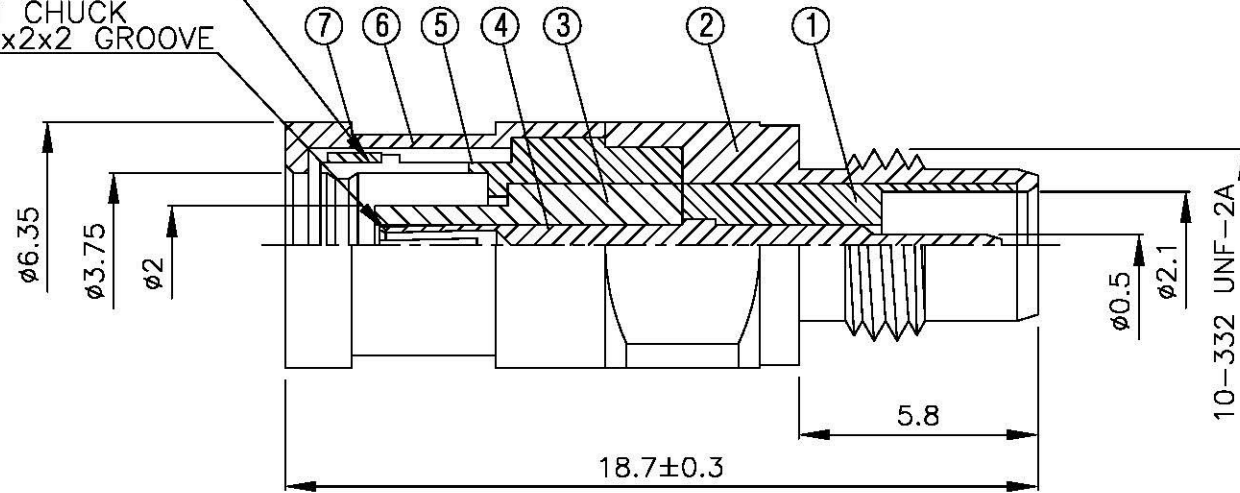


NO	DESCRIPTION	MATERIAL	Q'TY	FINISH	REMARK
1	INSULATION	TEFLON	1	TEFLON	I-0263T
2	BODY 1	BRASS	1	GOLD	B-SMC0551-G
3	INSULATION	TEFLON	1	TEFLON	I-0053T
4	PIN	BE CU	1	GOLD	P-SMB0356-G
5	BODY 3	BRASS	1	GOLD	B-SMB0263-G
6	BODY 4	BRASS	1	GOLD	B-SMB0245-G
7	WASHER	BE CU	1	GOLD	W-0035-G



BODY CHUCK  
0.3x4x6 GROOVE

PIN CHUCK  
0.2x2x2 GROOVE



**All Connectors**

www.allconnectors.de info@allconnectors.de  
Tel.: 0249 711 7029508 Fax: 0249 711 708994  
70794 Filzstätt Germany Kettmeistr. 23

TITLE **SMB FEMALE - SMC MALE ADAPTOR**

PART NO. **SMC-20-TGG**

DRAWING NO. **SMC 20 TGG**

DRAWN **MARY** DATE **92.07.14**

CHECKED **黃巧君** DATE

Q.A. **蘇姿潔** DATE

APPROVAL **徐燦霖** DATE

REVISION DATE

DIMENSIONS ARE IN MILLMETER

UNLESS OTHERWISE SPECIFIED TOLERANCE

0.5-5 =  $\pm 0.2$  120-315 =  $\pm 1$

5-30 =  $\pm 0.4$  315-1000 =  $\pm 1.6$

30-120 =  $\pm 0.6$  1000-2000 =  $\pm 2.4$

SCALE **4:1** SIZE **A**

REVISION

DESCRIPTION ENGINEER