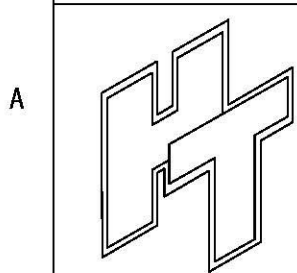
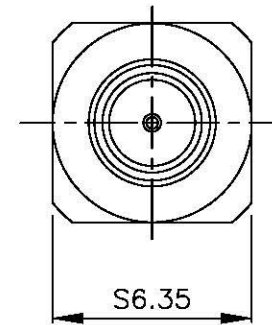
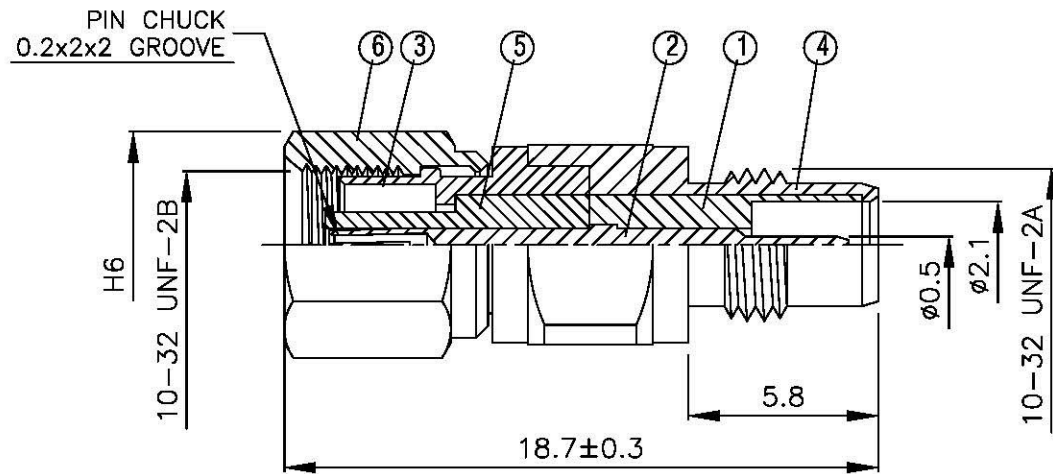
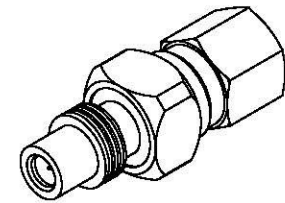


| NO | DESCRIPTION | MATERIAL | Q'TY | FINISH | REMARK |
|----|-------------|----------|------|--------|-------------|
| 1 | INSULATION | TEFLON | 1 | TEFLON | I-0263T |
| 2 | PIN | BE CU | 1 | GOLD | P-SMB0356-G |
| 3 | BODY 1 | BRASS | 1 | GOLD | B-SMC0261-G |
| 4 | BODY 2 | BRASS | 1 | GOLD | B-SMC0551-G |
| 5 | INSULATION | TEFLON | 1 | TEFLON | I-0053T |
| 6 | BODY 2 | BRASS | 1 | GOLD | B-SMC0262-G |



All Connectors

www.allconnectors.de info@allconnectors.de
Tel: +49 72 733 900900 Fax: +49 72 733 900901
70774 Fellbach - Germany Fellbachstr. 25

TITLE
SMC FEMALE - SMC MALE ADAPTOR

PART NO.
SMC-19-TGG

DRAWING NO. SMC 19 TGG

DRAWN MARY DATE 92.07.14

CHECKED 黄巧君 DATE

Q.A. 蘇姿潔 DATE

APPROVAL 徐燦霖 DATE

REVISION DATE

DIMENSIONS ARE IN MILLMETER

UNLESS OTHERWISE SPECIFIED TOLERANCE

0.5-5=±0.2 120-315=±1

5-30=±0.4 315-1000=±1.6

30-120=±0.6 1000-2000=±2.4

SCALE 4:1 SIZE A

REVISION

DESCRIPTION ENGINEER