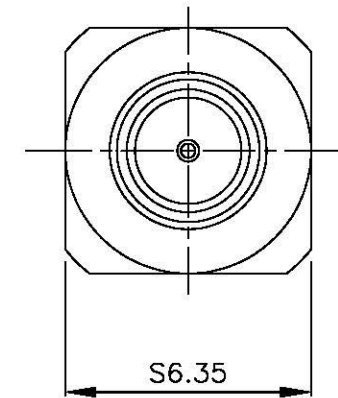
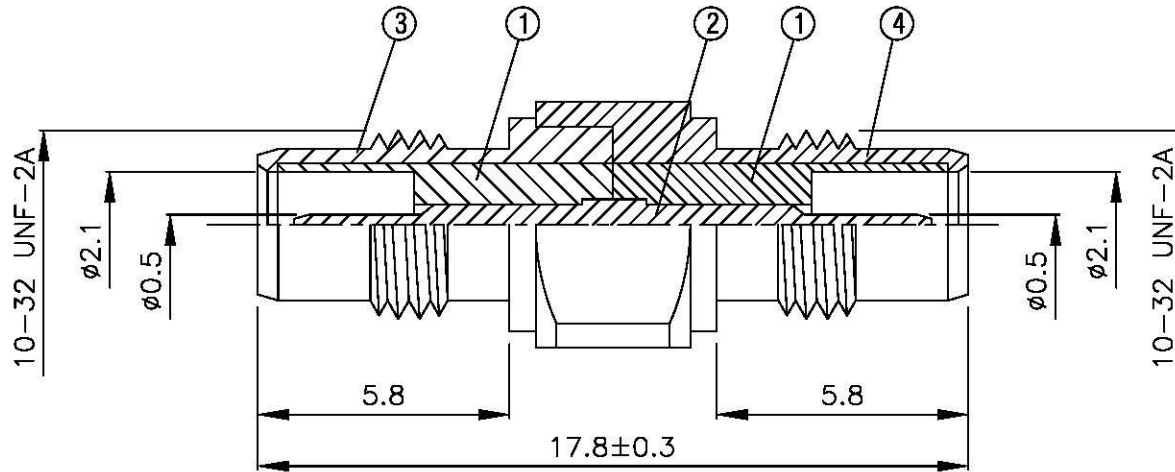
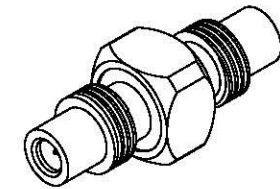
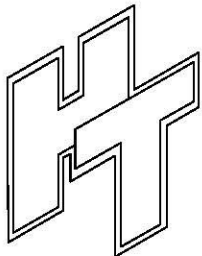



NO	DESCRIPTION	MATERIAL	Q'TY	FINISH	REMARK
1	INSULATION	TEFLON	1	TEFLON	I-0263T
2	PIN	PH.BRONZE	1	GOLD	P-SMB0355-G
3	BODY 1	BRASS	1	GOLD	B-SMC0550-G
4	BODY 2	BRASS	1	GOLD	B-SMC0551-G



		DRAWN MARY DATE 90.05.15	DIMENSIONS ARE IN MILLMETER		REVISION		
	<small>www.allconnectors.de Tel.: 0049 711 7008203 Waldhofstraße 25, Germany</small>	<small>Info@allconnectors.de Fax: 0049 711 7008204 Kellerstraße 25</small>	CHECKED 黃巧君 DATE	UNLESS OTHERWISE SPECIFIED TOLERANCE		DESCRIPTION	ENGINEER
	TITLE SMC MALE TO SMC MALE ADAPTOR		Q.A. 蘇姿潔 DATE	0.5-5=±0.2 120-315=±1			
	PART NO. SMC-18-TGG		APPROVAL 徐燦霖 DATE	5-30=±0.4 315-1000=±1.6			
	DRAWING NO. SMC 18 TGG		REVISION DATE	30-120=±0.6 1000-2000=±2.4			
			SCALE 4:1	SIZE A			