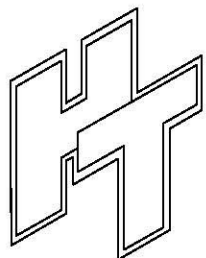
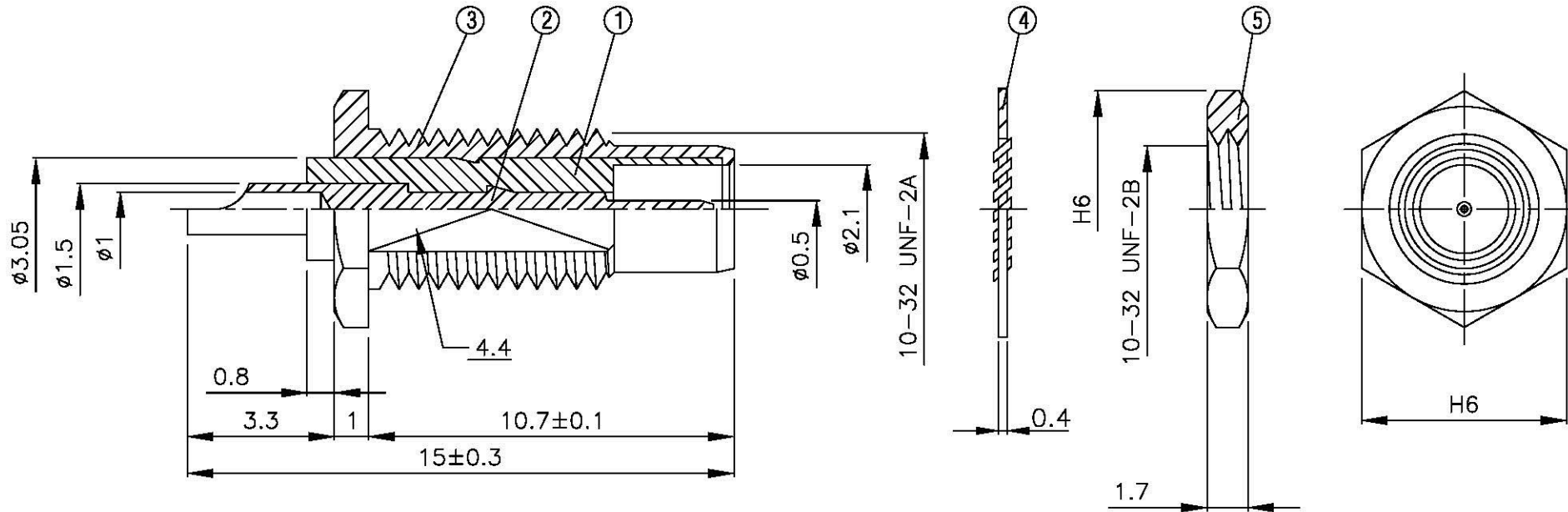
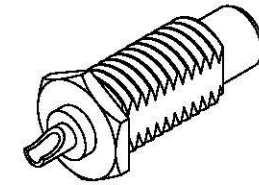


NO	DESCRIPTION	MATERIAL	Q'TY	FINISH	REMARK
1	INSULATION	TEFLON	1	TEFLON	I-0084T
2	PIN	BRASS	1	GOLD	P-SMC0178-G
3	BODY	BRASS	1	NICKEL	B-SMC0298-N
4	WASHER	BRASS	1	NICKEL	W-0009-N
5	NUT	BRASS	1	NICKEL	N-0005-N



All Connectors

www.allconnectors.de
Tel.: 0640 711 7000503
747501 Flörsfeld - Germany

info@allconnectors.de
Fax: 0640 711 7009504
Kettnerstr. 25

TITLE
SMC MALE RECEPTACLES

PART NO.
SMC-17-TGN

DRAWING NO. **SMC 17 TGN**

DRAWN MARY DATE 90.05.17

CHECKED 黃巧君

Q.A. 蘇姿潔

APPROVAL 徐燦霖

REVISION

DATE

DATE

DATE

DATE

DIMENSIONS ARE IN MILLMETER

UNLESS OTHERWISE SPECIFIED
TOLERANCE

0.5-5=±0.2 120-315=±1

5-30=±0.4 315-1000=±1.6

30-120=±0.6 1000-2000=±2.4

SCALE 4:1 SIZE A

REVISION

DESCRIPTION ENGINEER

D

C

B

A

D

C

B

A

4

3

2

1