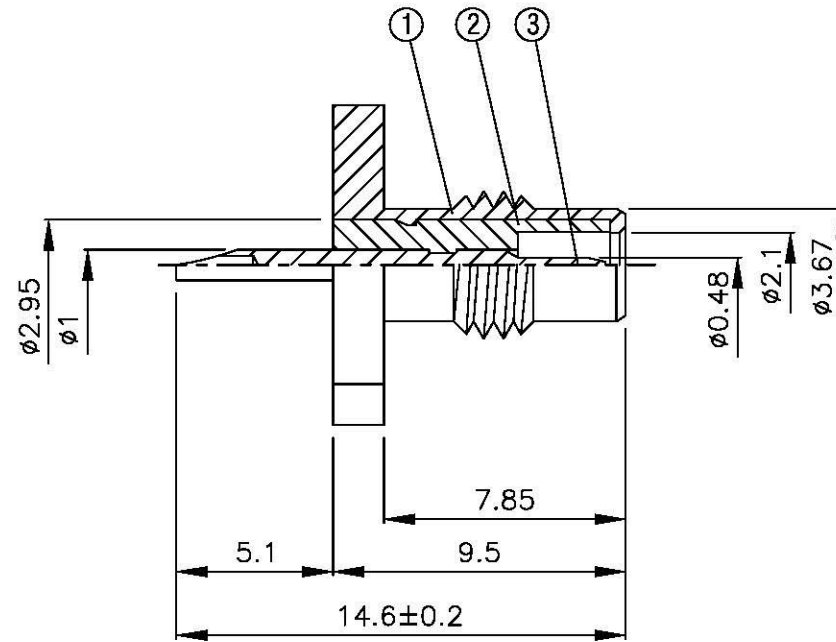
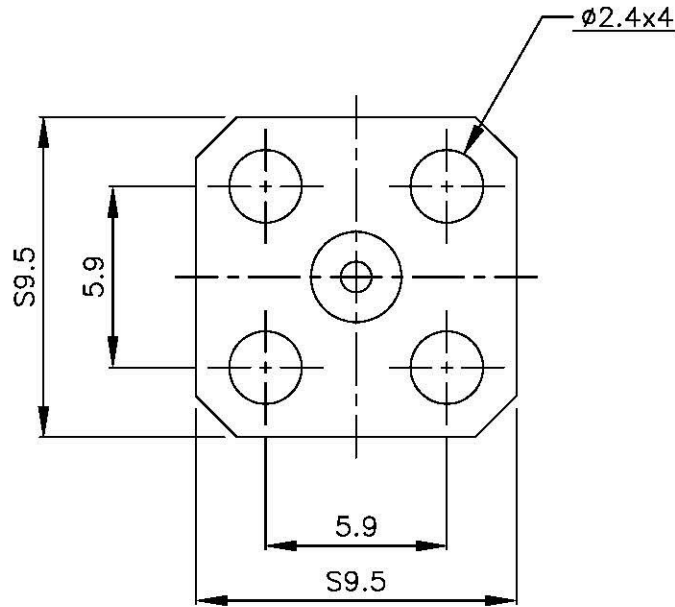
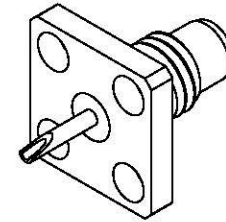


NO	DESCRIPTION	MATERIAL	Q'TY	FINISH	REMARK
1	BODY	BRASS	1	GOLD	B-SMC0395-G
2	INSULATION	TEFLON	1	TEFLON	I-0034T
3	PIN	PH.BRONZE	1	GOLD	P-SMB0254-G



		DRAWN MARY DATE 90.01.22	DIMENSIONS ARE IN MILLIMETERS		REVISION		
	<small>www.allconnectors.de Tel.: 0049 711 7009065 70794 Filberstadt, Germany</small>	<small>Info@allconnectors.de Fax: 0049 711 7009001 Revised: 11.25</small>	CHECKED 黄巧君 DATE	UNLESS OTHERWISE SPECIFIED TOLERANCE		DESCRIPTION	ENGINEER
	TITLE SMC MALE PANEL RECEPTACLE		Q.A. 蘇姿潔 DATE			0.5-5=±0.2	120-315=±1
	PART NO. SMC-13-TGG		APPROVAL 徐燦霖 DATE	5-30=±0.4	315-1000=±1.6		
	DRAWING NO. SMC 13 TGG		REVISION DATE	30-120±0.6	1000-2000=±2.4		
			SCALE	4:1	SIZE	A	