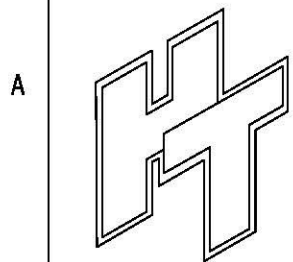
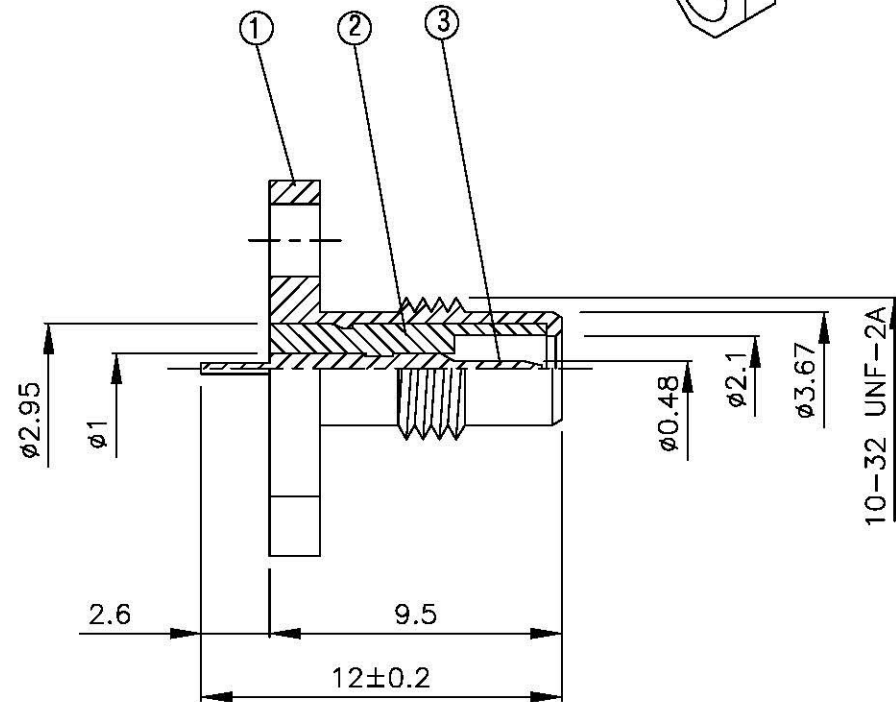
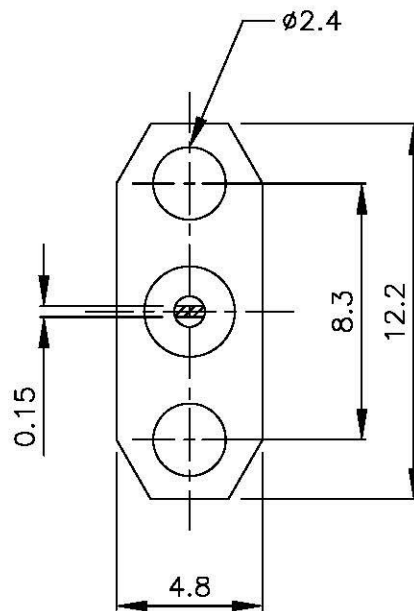
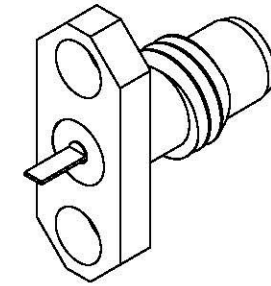


NO	DESCRIPTION	MATERIAL	Q'TY	FINISH
1	BODY	BRASS	1	GOLD
2	INSULATION	TEFLON	1	TEFLON
3	PIN	PH.BRONZE	1	GOLD



All Connectors
 www.allconnectors.com info@allconnectors.com
 Tel.: 0049 711 7009503 Fax: 0049 711 7009504
 20794 Allconnect GmbH Kettencr. 23

TITLE **SMC MALE PANEL RECEPTACLE**

PART NO. **SMC-12V4-TGG**

DRAWING NO. **SMC-12V4-TGG**

DRAWN **MARY** DATE **96.06.29**

CHECKED **蘇志欣** DATE

Q.A. **蘇姿潔** DATE

APPROVAL **徐燦霖** DATE

REVISION DATE

DIMENSIONS ARE IN MILLIMETERS

UNLESS OTHERWISE SPECIFIED TOLERANCE

0.5-5=±0.2 120-315=±1
 5-30=±0.4 315-1000=±1.6
 30-120±0.6 1000-2000=±2.4

SCALE **4:1** SIZE **A**

REVISION	
DESCRIPTION	ENGINEER