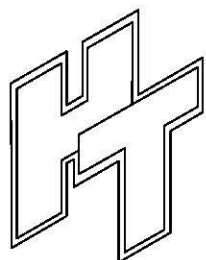
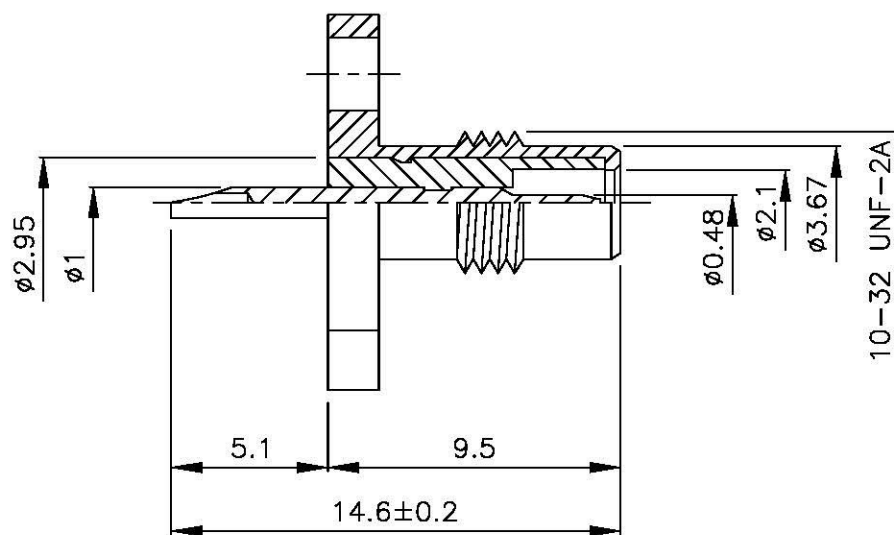
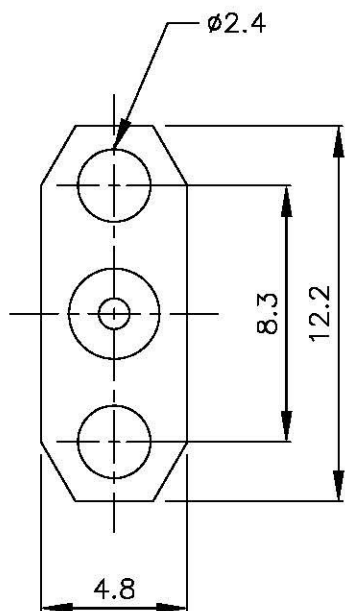
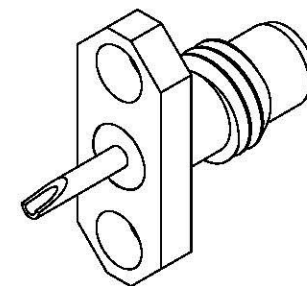


NO	DESCRIPTION	MATERIAL	Q'TY	FINISH	REMARK
1	BODY	BRASS	1	GOLD	B-SMC0394-G
2	INSULATION	TEFLON	1	TEFLON	I-0034T
3	PIN	PH.BRONZE	1	GOLD	P-SMB0254-G



All Connectors
 www.allconnectors.de
 Tel.: 0049 711 7008208
 70734 Filbdorfstr. 21, Germany

TITLE **SMC MALE PANEL RECEPTACLE**

PART NO. **SMC-12-TGG**

DRAWING NO. **SMC 12 TGG**

DRAWN **MARY**

CHECKED **蘇志欣**

Q.A. **蘇姿潔**

APPROVAL **徐燦霖**

REVISION

DATE **96.06.29**

DATE

DATE

DATE

DATE

DIMENSIONS ARE IN MILLIMETERS

UNLESS OTHERWISE SPECIFIED
 TOLERANCE
 0.5-5=±0.2 120-315=±1
 5-30=±0.4 315-1000=±1.6
 30-120±0.6 1000-2000=±2.4

SCALE **4:1** SIZE **A**

REVISION

DESCRIPTION ENGINEER