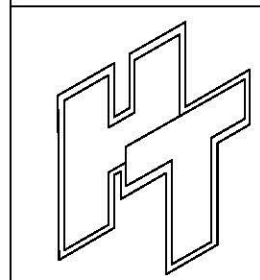
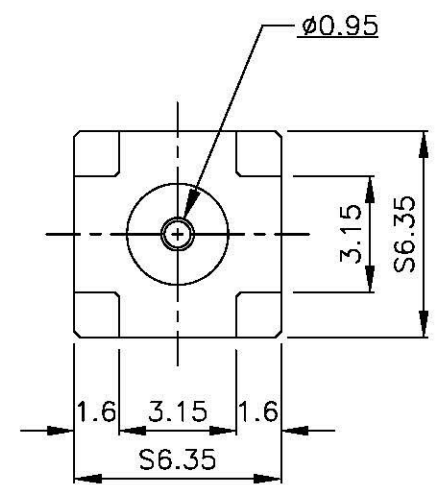
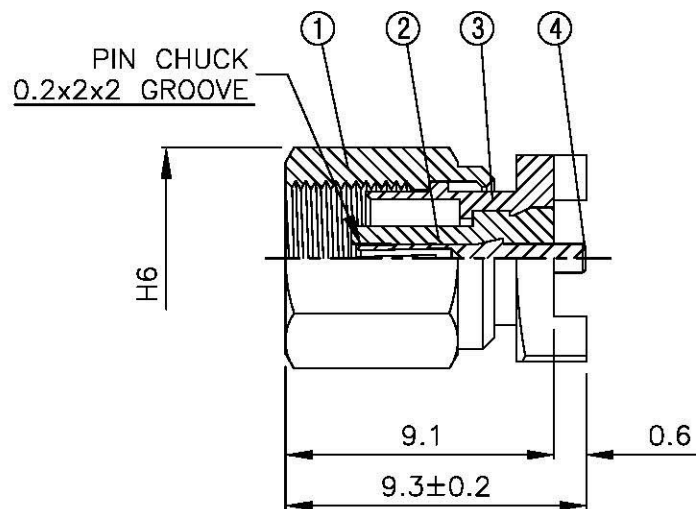
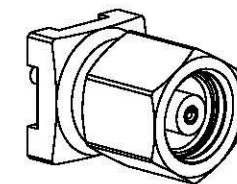


NO	DESCRIPTION	MATERIAL	Q'TY	FINISH	REMARK
1	BODY 1	BRASS	1	GOLD	B-SMC0262-G
2	INSULATION	TEFLON	1	TEFLON	I-0069T
3	BODY 2	BRASS	1	GOLD	B-SMC0522-G
4	PIN	BE CU	1	GOLD	P-SMB0349-G



**All Connectors**  
 www.allconnectors.com  
 TEL: 02-26121111 FAX: 02-26121111  
 NO. 101, Sec. 2, No. 1, Zhongxing Rd., Neihu Dist., Taipei City 104, Taiwan

**TITLE**  
SMC FEMALE SURFACE MOUNT

**PART NO.**  
SMC-11V4-TGG

**DRAWING NO.**  
SMC 11V4 TGG

**DRAWN** MARY **DATE** 96.06.29

**CHECKED** 蘇志欣 **DATE**

**Q.A.** 蘇姿潔 **DATE**

**APPROVAL** 徐燦霖 **DATE**

**REVISION** **DATE**

**DIMENSIONS ARE IN MILLIMETERS**

**UNLESS OTHERWISE SPECIFIED TOLERANCE**

0.5-5=±0.2	120-315=±1
5-30=±0.4	315-1000=±1.6
30-120±0.6	1000-2000=±2.4

**SCALE** 4:1 **SIZE** A

REVISION	
DESCRIPTION	ENGINEER