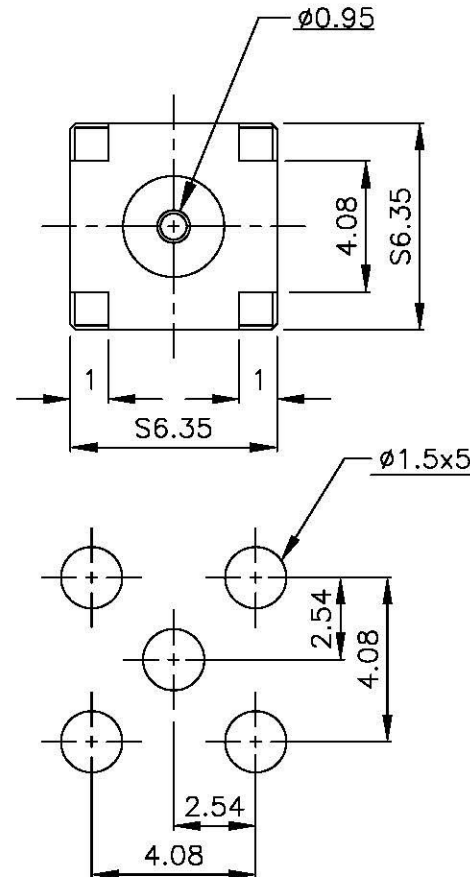
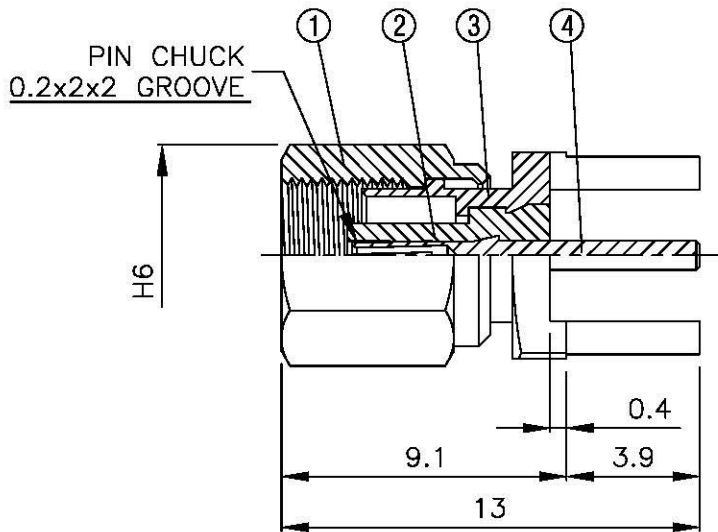
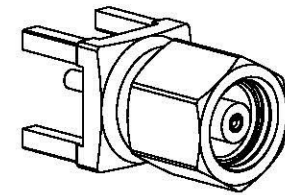


NO	DESCRIPTION	MATERIAL	Q'TY	FINISH	REMARK
1	BODY 1	BRASS	1	GOLD	B-SMC0262-G
2	INSULATION	TEFLON	1	TEFLON	I-0069T
3	BODY 2	BRASS	1	GOLD	B-SMC0524-G
4	PIN	BE CU	1	GOLD	P-SMB0163-G



		DRAWN MARY DATE 96.06.29	DIMENSIONS ARE IN MILLIMETERS		REVISION		
	<small>www.allconnectors.de Tel.: 0049 711 700503 32784 Filderstadt, Germany</small>	<small>Info@allconnectors.de Fax: 0049 711 700504 Kottbusstr. 25</small>	CHECKED 蘇志欣 DATE	UNLESS OTHERWISE SPECIFIED TOLERANCE		DESCRIPTION	ENGINEER
	TITLE SMC FEMALE PCB MOUNT		Q.A. 蘇姿潔 DATE			0.5-5=±0.2	120-315=±1
	PART NO. SMC-11-TGG		APPROVAL 徐燦霖 DATE	5-30=±0.4	315-1000=±1.6		
	DRAWING NO. SMC 11 TGG		REVISION DATE	30-120±0.6	1000-2000=±2.4		
			SCALE 4:1	SIZE A			