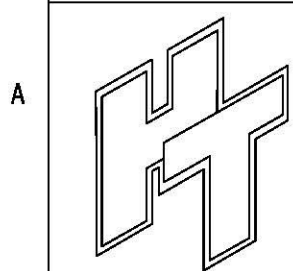
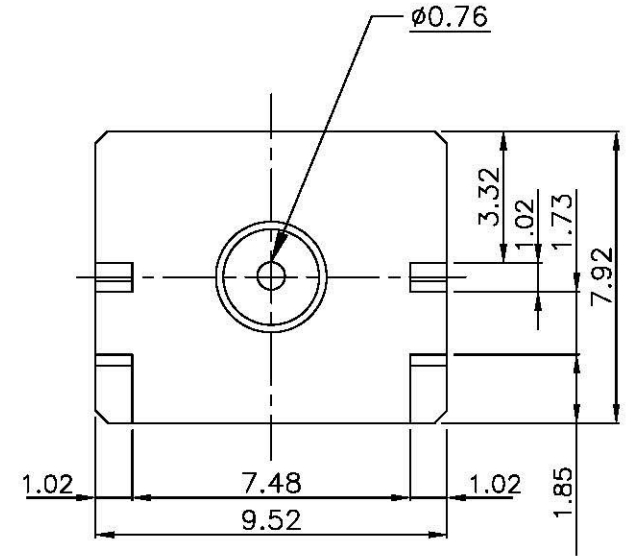
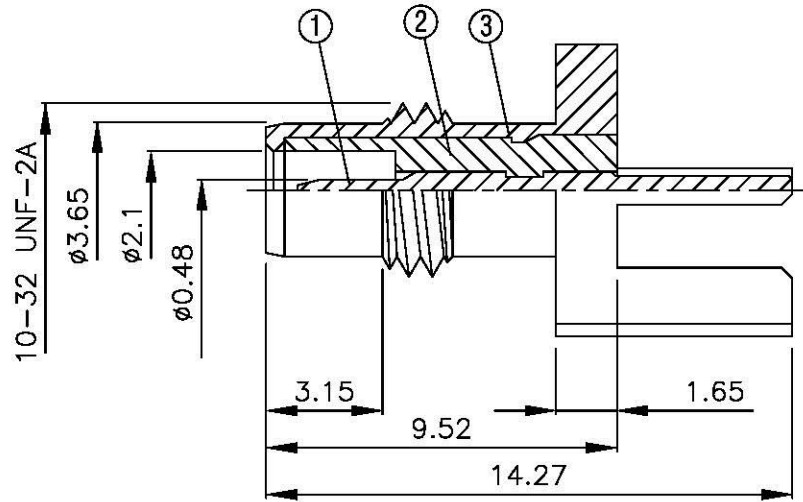
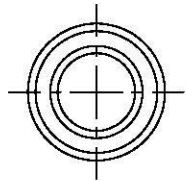
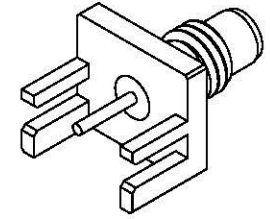


NO	DESCRIPTION	MATERIAL	Q'TY	FINISH	REMARK
1	PIN	BRASS	1	GOLD	P-SMB0128-G
2	INSULATION	TEFLON	1	TEFLON	I-0034T
3	BODY	BRASS	1	GOLD	B-SMB0199-G



**All Connectors**  
 www.allconnectors.de  
 Tel.: 0049 714 7008008  
 07241 - 4184141 - Germany

**SMC MALE END LAUNCH**

**PART NO. SMC-10V5-TGG**

**DRAWING NO. SMC-10V5-TGG**

**DRAWN MARY** DATE 91.01.04

**CHECKED 黄巧君** DATE 91.01.04

**Q.A. 蘇姿潔** DATE

**APPROVAL 徐燦霖** DATE

**REVISION** DATE

**DIMENSIONS ARE IN MILLIMETERS**

**UNLESS OTHERWISE SPECIFIED TOLERANCE**

0.5-5=±0.2    120-315=±1  
 5-30= ±0.4    315-1000=±1.6  
 30-120±0.6    1000-2000=±2.4

**SCALE 4:1    SIZE A**

REVISION	
DESCRIPTION	ENGINEER