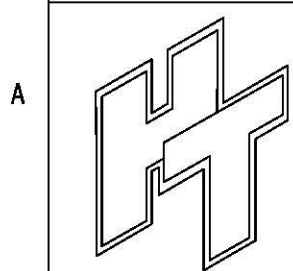
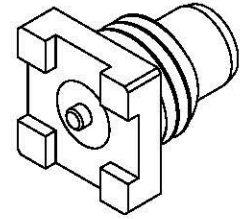
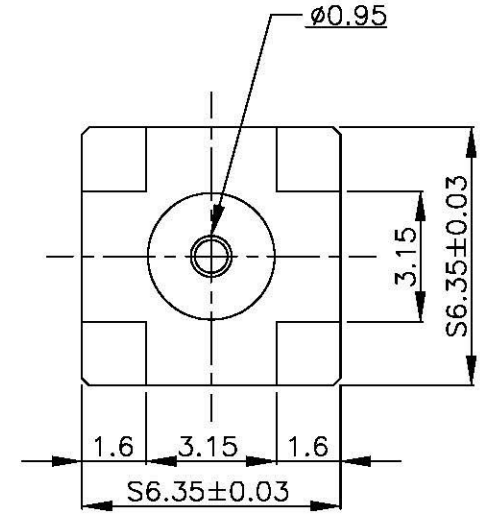
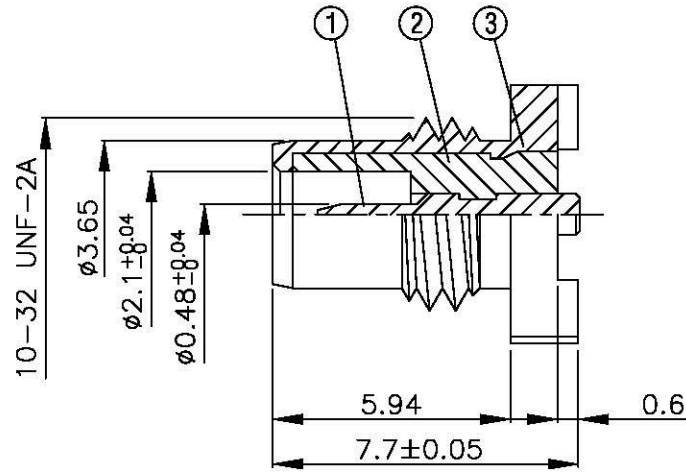
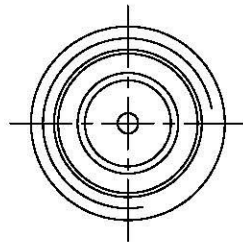


NO	DESCRIPTION	MATERIAL	Q'TY	FINISH	REMARK
1	PIN	BRASS	1	GOLD	P-SMB0127-G
2	INSULATION	TEFLON	1	TEFLON	I-0031T
3	BODY	BRASS	1	NICKEL	B-SMC0198-G



All Connectors
 www.allconnectors.de
 Tel.: 0449 711 7009508
 70791 Ulm/Leutkirch - Germany

Info@allconnectors.de
 Fax: 0449 711 7009504
 Rev: 06/2014

TITLE **SMC MALE PCB MOUNT**

PART NO. **SMC-10V4-TGN**

DRAWING NO. **SMC 10V4 TGN**

DRAWN **MARY**

CHECKED **蘇志欣**

Q.A. **蘇姿潔**

APPROVAL **徐燦霖**

REVISION

DATE **96.06.29**

DATE

DATE

DATE

DATE

DIMENSIONS ARE IN MILLIMETERS

UNLESS OTHERWISE SPECIFIED TOLERANCE

0.5-5=±0.2	120-315=±1
5-30=±0.4	315-1000=±1.6
30-120±0.6	1000-2000=±2.4

SCALE **4:1** SIZE **A**

REVISION	
DESCRIPTION	ENGINEER