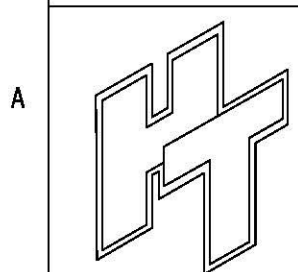
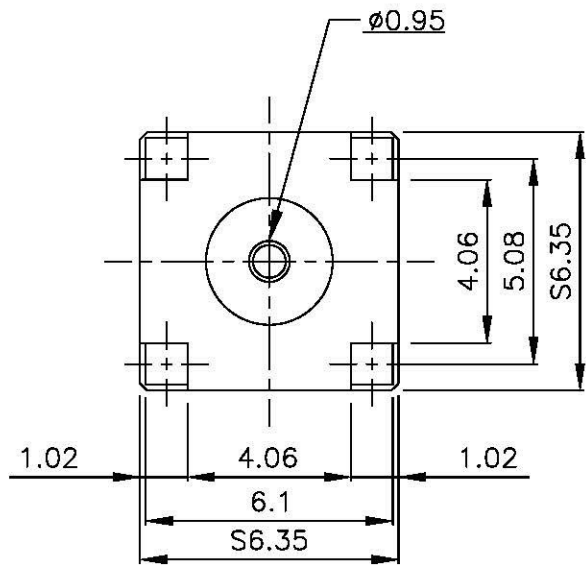
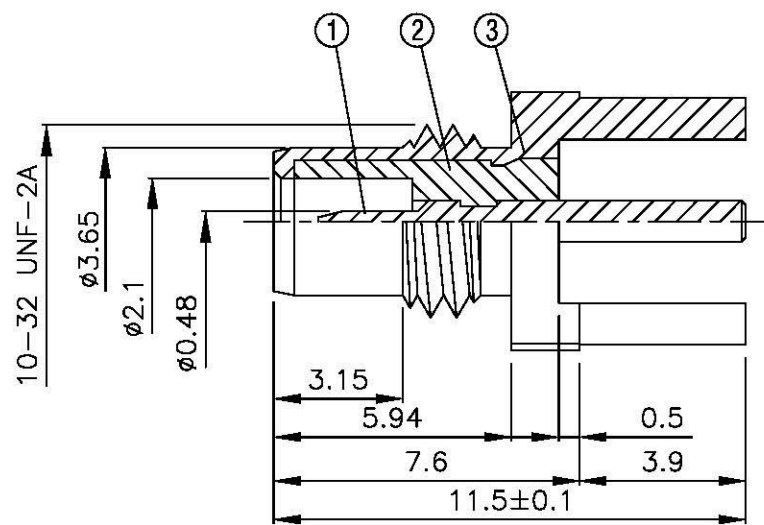
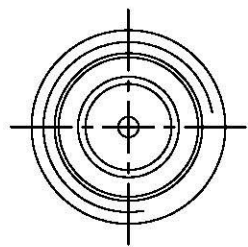
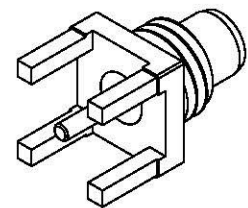


NO	DESCRIPTION	MATERIAL	Q'TY	FINISH	REMARK
1	PIN	BRASS	1	GOLD	P-SMB0125-G
2	INSULATION	TEFLON	1	TEFLON	I-0031T
3	BODY	BRASS	1	NICKEL	B-SMC0197-N



All Connectors
 www.allconnectors.com
 Tel.: 0049 711 7009503
 70794 Filderstadt, Germany

SMC MALE PCB MOUNT

SMC-10-TGN

SMC 10 TGN

DRAWN MARY **DATE** 91.01.03
CHECKED 黃巧君 **DATE** 91.01.03
Q.A. 蘇姿潔 **DATE**
APPROVAL 徐燦霖 **DATE**
REVISION **DATE**

DIMENSIONS ARE IN MILLIMETERS

UNLESS OTHERWISE SPECIFIED TOLERANCE

0.5-5=±0.2 120-315=±1
 5-30=±0.4 315-1000=±1.6
 30-120±0.6 1000-2000=±2.4

SCALE 4:1 **SIZE** A

REVISION	
DESCRIPTION	ENGINEER