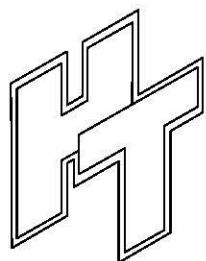
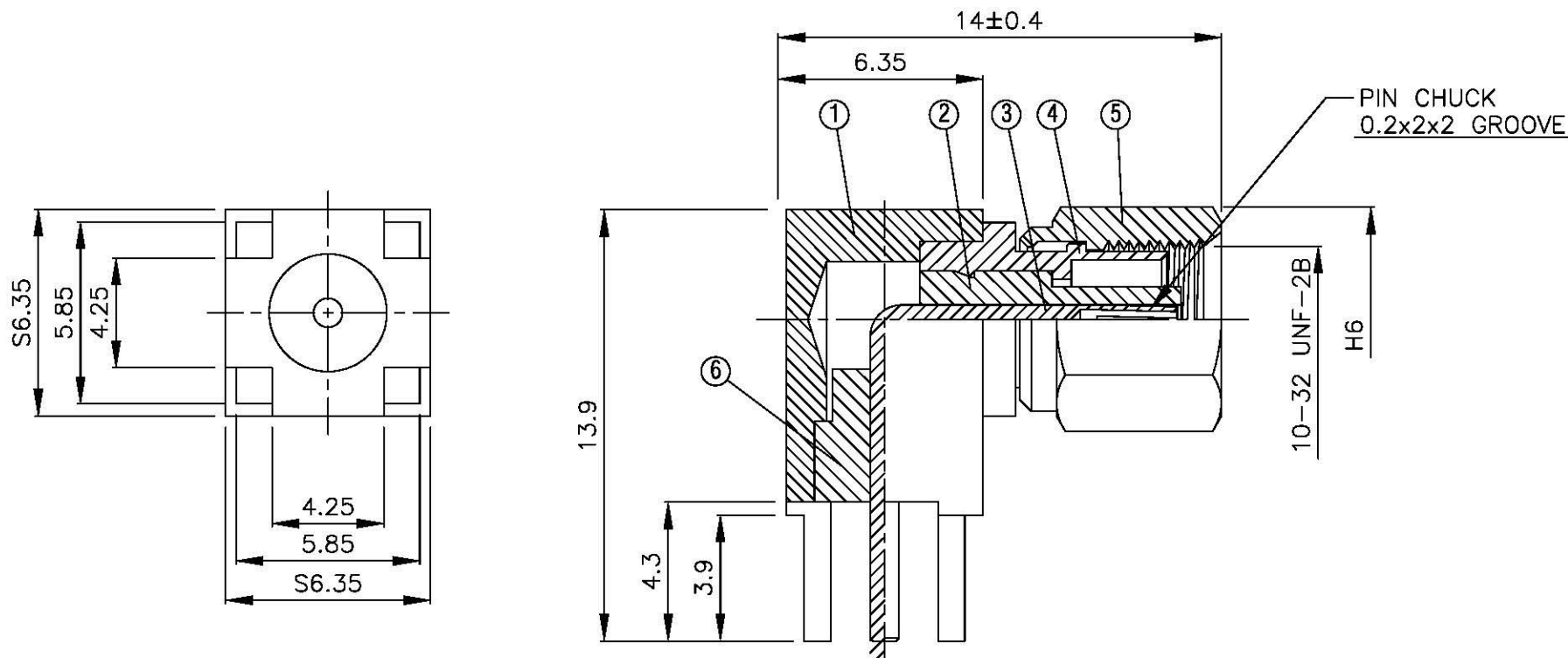
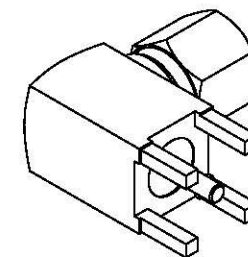


NO	DESCRIPTION	MATERIAL	Q'TY	FINISH	REMARK
1	BODY 1	BRASS	1	GOLD	B-SMA0086-G
2	INSULATION 1	TEFLON	1	TEFLON	I-0053T
3	PIN	BE CU	1	GOLD	P-SMB0147-G
4	BODY 2	BRASS	1	GOLD	B-SMC0478-G
5	BODY 3	BRASS	1	GOLD	B-SMC0262-G
6	INSULATION 2	TEFLON	1	TEFLON	I-0055T



All Connectors

www.allconnectors.de
Tel.: 0049 711 7009008
40291 Düsseldorf - Germany

info@allconnectors.de
Fax: 0049 711 7009004
Kettelerstr. 2B

TITLE
SMC FEMALE ANGLE PC MOUNT

PART NO.
SMC-09-TGG

DRAWING NO.
SMC 09 TGG

DRAWN MARY DATE 91.03.28

CHECKED 黄巧君 DATE

Q.A. 蘇姿潔 DATE

APPROVAL 徐燦霖 DATE

REVISION DATE

DIMENSIONS ARE IN MILLIMETERS

UNLESS OTHERWISE SPECIFIED TOLERANCE

0.5-5 = ± 0.2 120-315 = ± 1

5-30 = ± 0.4 315-1000 = ± 1.6

30-120 ± 0.6 1000-2000 = ± 2.4

SCALE 4:1 SIZE A

REVISION

DESCRIPTION ENGINEER