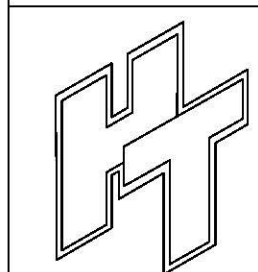
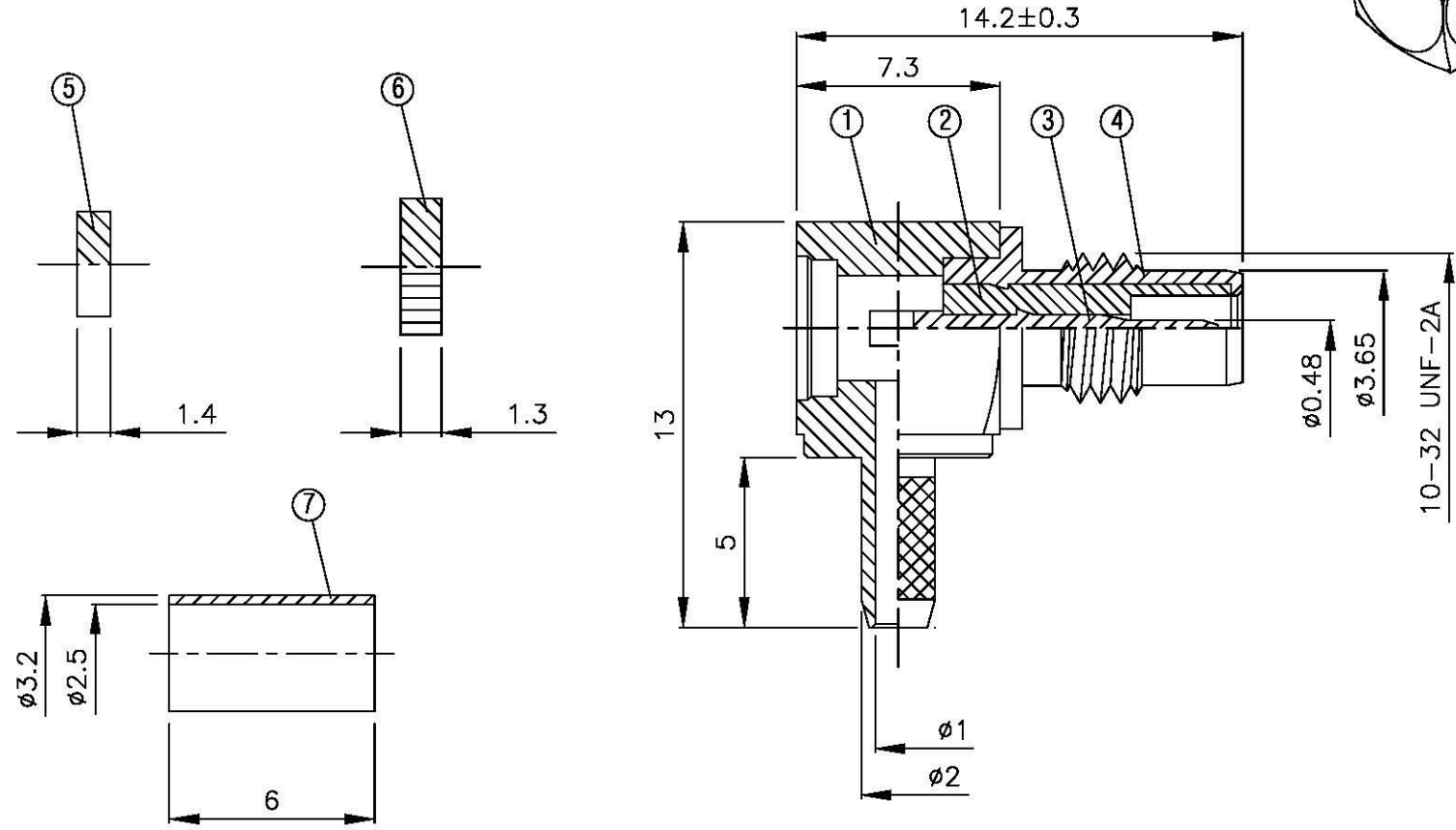
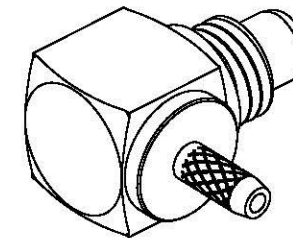


NO	DESCRIPTION	MATERIAL	Q'TY	FINISH	REMARK
1	BODY 1	BRASS	1	GOLD	B-SMA0214-G
2	INSULATION 1	TEFLON	1	TEFLON	I-0058T
3	PIN	PH.BRONZE	1	GOLD	P-SMB0188-G
4	BODY 2	BRASS	1	GOLD	B-SMC0333-G
5	INSULATION 2	TEFLON	1	TEFLON	I-0136T
6	WASHER	BRASS	1	GOLD	W-0023-G
7	RING	BRASS	1	GOLD	R-0022-G



All Connectors
 www.allconnectors.com info@allconnectors.com
 Tel: 86-571-87005032 Fax: 86-571-87005044
 200794 Pili Street, Hangzhou, China

TITLE: SMC MALE CRIMP FOR RG178/U
 PART NO.: SMC-08M-TGG
 DRAWING NO.: SMC 08M TGG

DRAWN MARY DATE 96.06.29
 CHECKED 蘇志欣 DATE
 Q.A. 蘇姿潔 DATE
 APPROVAL 徐燦霖 DATE
 REVISION DATE

DIMENSIONS ARE IN MILLIMETERS
 UNLESS OTHERWISE SPECIFIED TOLERANCE
 0.5-5=±0.2 120-315=±1
 5-30=±0.4 315-1000=±1.6
 30-120±0.6 1000-2000=±2.4

SCALE 4:1 SIZE A

REVISION	
DESCRIPTION	ENGINEER