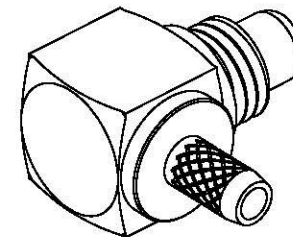
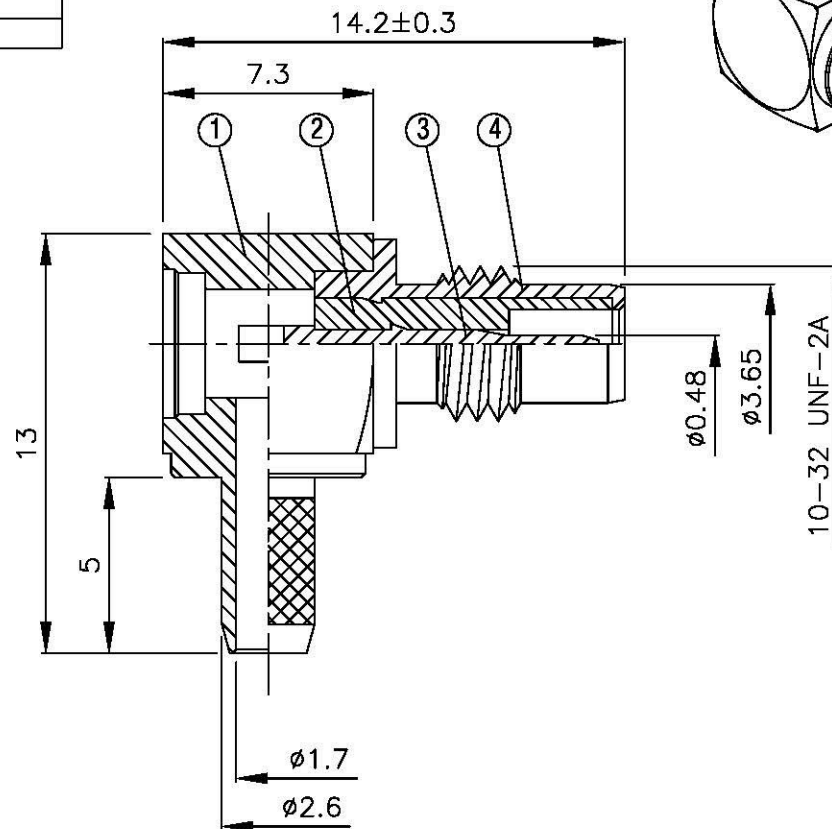
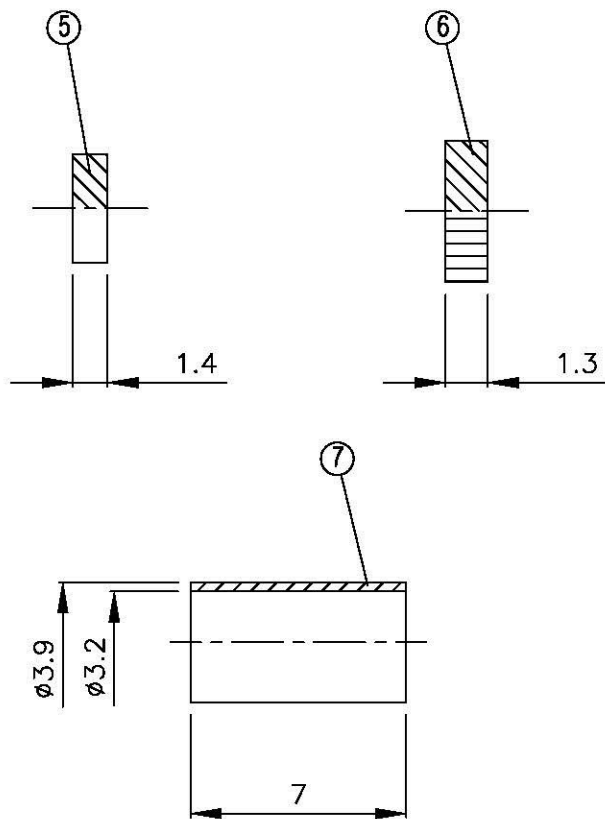
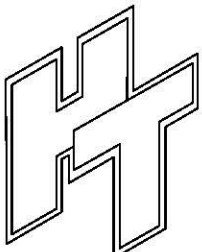



NO	DESCRIPTION	MATERIAL	Q'TY	FINISH	REMARK
1	BODY 1	BRASS	1	GOLD	B-SMA0155-G
2	INSULATION	TEFLON	1	TEFLON	I-0058T
3	PIN	PH.BRONZE	1	GOLD	P-SMB0188-G
4	BODY	BRASS	1	GOLD	B-SMC0333-G
5	INSULATION 2	TEFLON	1	TEFLON	I-0136T
6	WASHER	BRASS	1	GOLD	W-0023-G
7	RING	BRASS	1	GOLD	R-0001-G



			DRAWN MARY DATE 96.06.29	DIMENSIONS ARE IN MILLIMETERS		REVISION	
	<small>www.allconnectors.de Tel: +49 711 209503 46799 Hilderstraße, Germany</small>		CHECKED 蘇志欣 DATE	UNLESS OTHERWISE SPECIFIED TOLERANCE		DESCRIPTION	ENGINEER
	TITLE SMC MALE CRIMP FOR RG174/U,316/U		Q.A. 蘇姿潔 DATE	0.5-5=±0.2	120-315=±1		
	PART NO. SMC-08LV1-TGG		APPROVAL 徐燦霖 DATE	5-30=±0.4	315-1000=±1.6		
	DRAWING NO. SMC 08LV1 TGG		REVISION DATE	30-120±0.6	1000-2000=±2.4		
			SCALE 4:1	SIZE A			