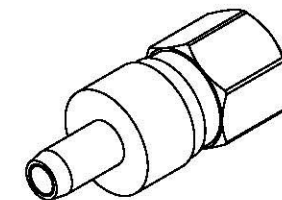
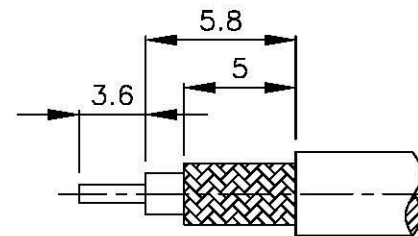
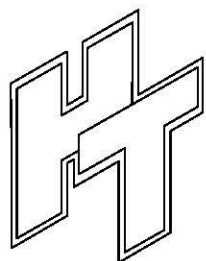
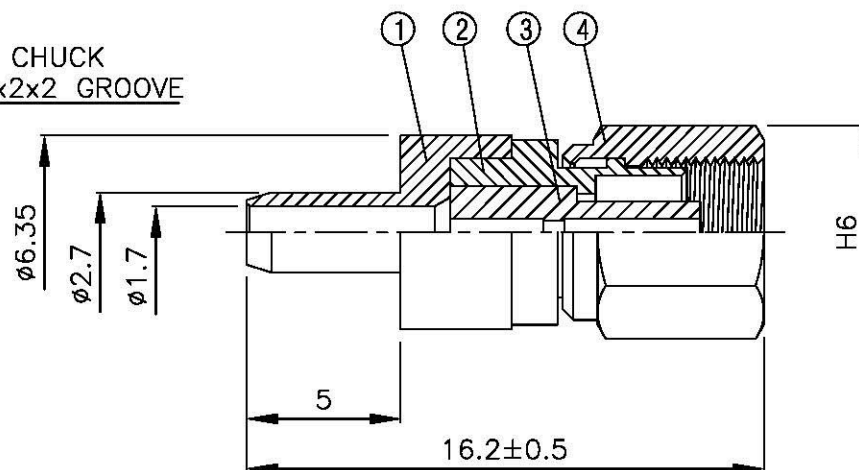
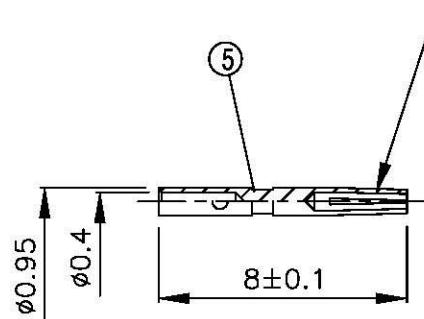
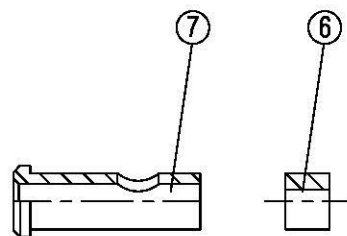


NO	DESCRIPTION	MATERIAL	Q'TY	FINISH	REMARK
1	BODY 1	BRASS	1	GOLD	B-SMB0255-G
2	BODY 2	BRASS	1	GOLD	B-SMC0261-G
3	INSULATION 1	TEFLON	1	TEFLON	I-0054T
4	BODY 3	BRASS	1	GOLD	B-SMC0262-G
5	PIN	BE CU	1	GOLD	P-SMB0148-G
6	BODY 4	BRASS	1	GOLD	B-SMA0473-G
7	INSULATION 2	TEFLON	1	TEFLON	I-0304T



(Recommended Stripping Dimension)



**Allconnectors**

www.allconnectors.de  
Tel.: 0049 711 700500  
70794 Filberstadt - Germany

info@allconnectors.de  
Fax: 0049 711 700504  
Kettnerstr. 25

TITLE SMC FEMALE CRIMP FOR RG-178/U

PART NO. SMC-07M-TGG

DRAWING NO. SMC 07M TGG

DRAWN MARY DATE 96.05.03

CHECKED 黄巧君 DATE

Q.A. 蘇姿潔 DATE

APPROVAL 徐燦霖 DATE

REVISION DATE

DIMENSIONS ARE IN MILLIMETERS

UNLESS OTHERWISE SPECIFIED TOLERANCE

0.5-5=±0.2 120-315=±1

5-30=±0.4 315-1000=±1.6

30-120±0.6 1000-2000=±2.4

SCALE 4:1 SIZE A

REVISION

DESCRIPTION ENGINEER

D

C

B

A

D

C

B

A

4

3

2

1