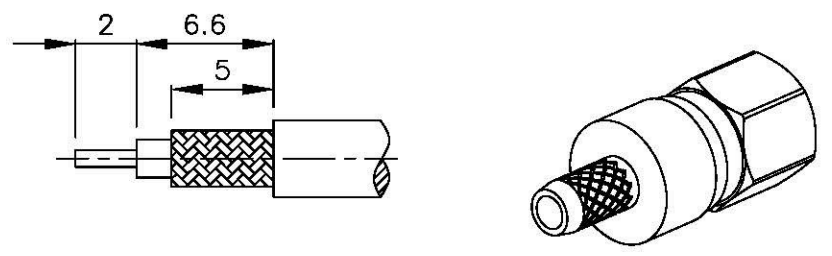
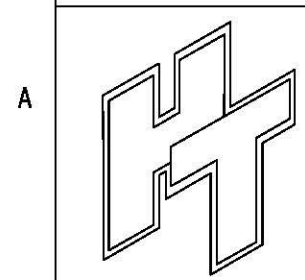
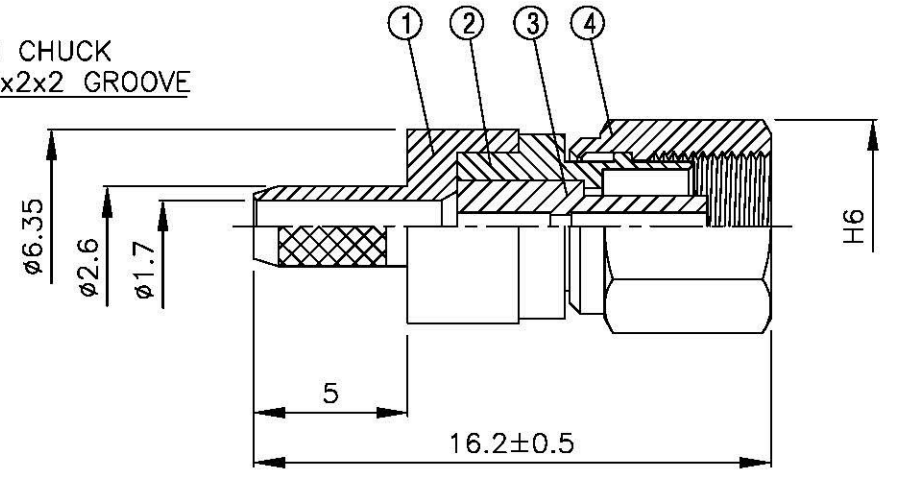
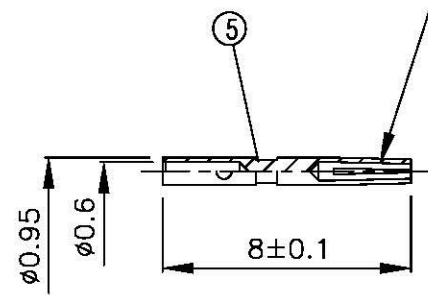
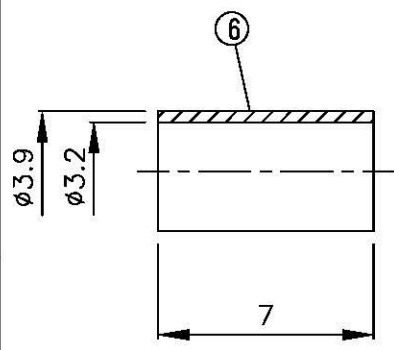


NO	DESCRIPTION	MATERIAL	Q'TY	FINISH	REMARK
1	BODY 1	BRASS	1	GOLD	B-SMB0246-G
2	BODY 2	BRASS	1	GOLD	B-SMC0261-G
3	INSULATION 1	TEFLON	1	TEFLON	I-0054T
4	BODY 3	BRASS	1	GOLD	B-SMC0262-G
5	PIN	BE CU	1	GOLD	P-SMB0146-G
6	RING	BRASS	1	GOLD	R-0001-G



(Recommended Stripping Dimension)



**All Connectors**  
 www.allconnectors.de    info@allconnectors.de  
 Tel: 0049 732 700500    Fax: 0049 732 700504  
 20794 Ellermünde, Germany    Kemptenstr. 25

TITLE    SMC FEMALE CRIMP FOR RG316/U,174/U

PART NO.    SMC-07LV1-TGG

DRAWING NO.    SMC 07LV1 TGG

DRAWN    MARY    DATE    91.03.06

CHECKED    黄巧君    DATE    91.03.06

Q.A.    蘇姿潔    DATE

APPROVAL    徐燦霖    DATE

REVISION    DATE

DIMENSIONS ARE IN MILLIMETERS

UNLESS OTHERWISE SPECIFIED TOLERANCE

0.5-5=±0.2	120-315=±1
5-30= ±0.4	315-1000=±1.6
30-120±0.6	1000-2000=±2.4

SCALE    4:1    SIZE    A

REVISION	
DESCRIPTION	ENGINEER