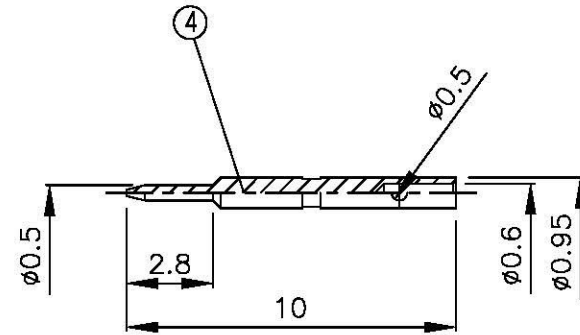
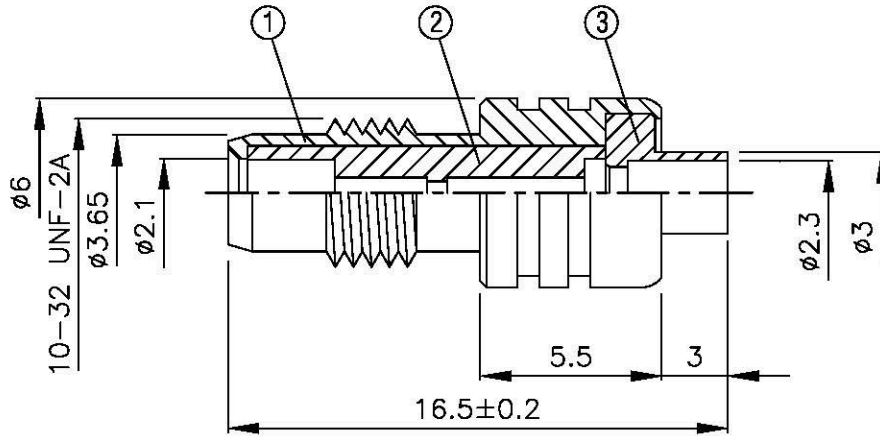
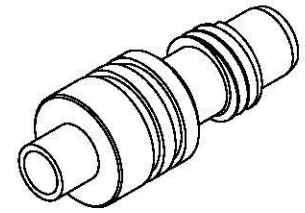


NO	DESCRIPTION	MATERIAL	Q'TY	FINISH	REMARK
1	BODY 1	BRASS	1	GOLD	B-SMC0334-G
2	INSULATION	TEFLON	1	TEFLON	I-0015T
3	BODY 2	BRASS	1	GOLD	B-SMB0174-G
4	PIN	PH.BRONZE	1	GOLD	P-SMC0097-G



All Connectors

www.allconnectors.de info@allconnectors.de
 Tel: 0049 (0) 4104 503 Fax: 0049 (0) 4104 504
 41044 Hülserath, Germany Kempten, DE

TITLE SMC MALE SOLDER FOR RG 405(.085)

PART NO. SMC-06V1-TGG

DRAWING NO. SMC 06V1 TGG

DRAWN MARY	DATE 96.06.29
CHECKED 蘇志欣	DATE
Q.A. 蘇姿潔	DATE
APPROVAL 徐燦霖	DATE
REVISION	DATE

DIMENSIONS ARE IN MILLIMETERS			
UNLESS OTHERWISE SPECIFIED TOLERANCE			
0.5-5=±0.2	120-315=±1		
5-30=±0.4	315-1000=±1.6		
30-120±0.6	1000-2000=±2.4		
SCALE 4:1	SIZE A		

REVISION	
DESCRIPTION	ENGINEER