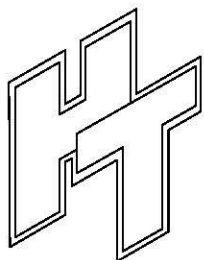
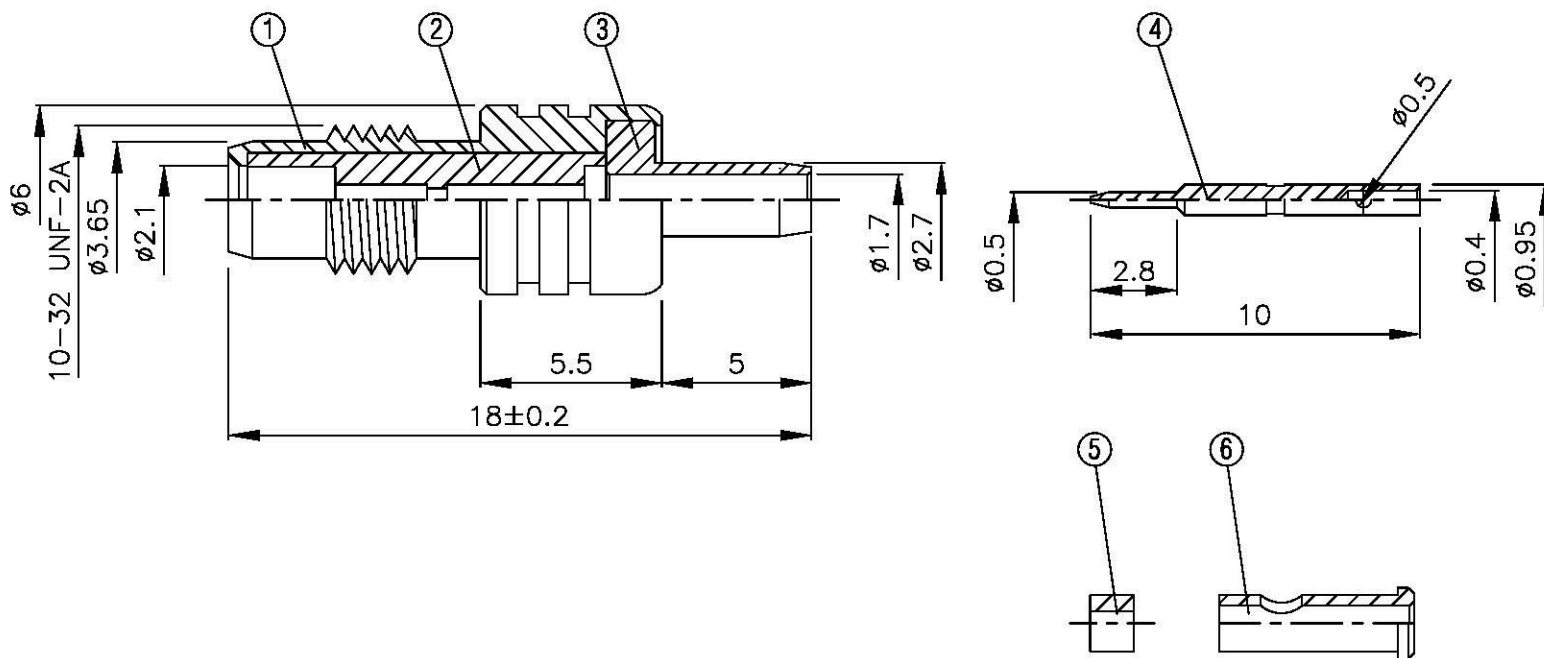
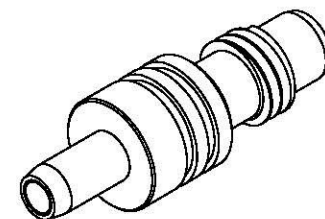


| NO | DESCRIPTION | MATERIAL | Q'TY | FINISH | REMARK |
|----|--------------|-----------|------|--------|-------------|
| 1 | BODY 1 | BRASS | 1 | GOLD | B-SMC0334-G |
| 2 | INSULATION 1 | TEFLON | 1 | TEFLON | I-0015T |
| 3 | BODY 2 | BRASS | 1 | GOLD | B-SMB0173-G |
| 4 | PIN | PH.BRONZE | 1 | GOLD | P-SMC0115-G |
| 5 | BODY 3 | BRASS | 1 | GOLD | B-SMA0473-G |
| 6 | INSULATION 2 | TEFLON | 1 | TEFLON | I-0256T |



All Connectors

www.allconnectors.de
Tel.: 0049 711 7009308
30794 Filderstadt, Germany

info@allconnectors.de
Fax: 0049 711 7009304
Kettensmann 25

TITLE **SMC MALE CRIMP FOR
RG178/U**

PART NO. **SMC-06M-TGG**

DRAWING NO. **SMC 06M TGG**

DRAWN **MARY** DATE **96.06.29**

CHECKED **蘇志欣** DATE

Q.A. **蘇姿潔** DATE

APPROVAL **徐燦霖** DATE

REVISION DATE

DIMENSIONS ARE IN MILLIMETERS

UNLESS OTHERWISE SPECIFIED
TOLERANCE

0.5-5=±0.2 120-315=±1

5-30=±0.4 315-1000=±1.6

30-120±0.6 1000-2000=±2.4

SCALE **4:1** SIZE **A**

REVISION

DESCRIPTION ENGINEER

D

C

B

A

D

C

B

A

4

3

2

1