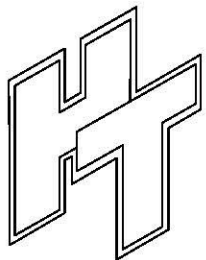
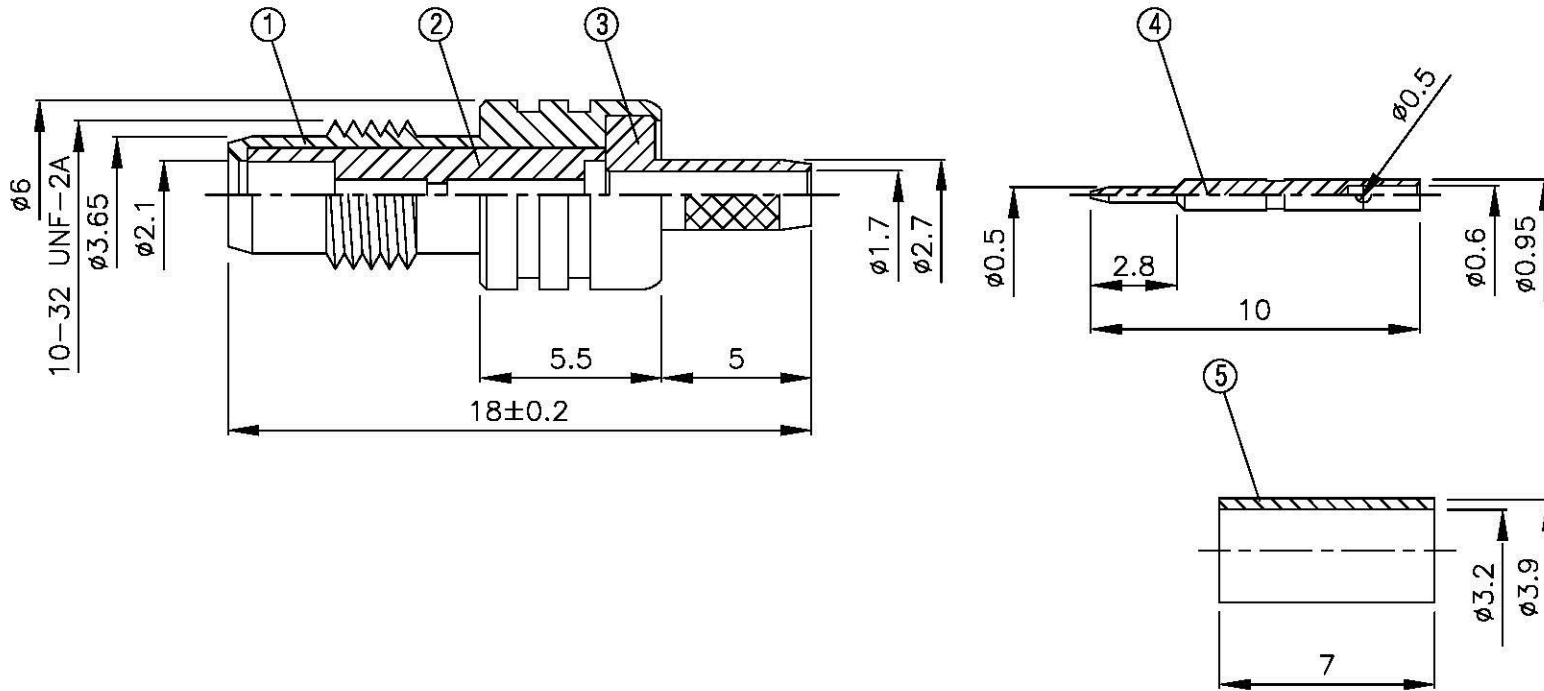
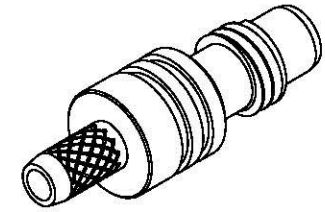


NO	DESCRIPTION	MATERIAL	Q'TY	FINISH	REMARK
1	BODY 1	BRASS	1	GOLD	B-SMC0334-G
2	INSULATION	TEFLON	1	TEFLON	I-0015T
3	BODY 2	BRASS	1	GOLD	B-SMB0172-G
4	PIN	PH.BRONZE	1	GOLD	P-SMC0097-G
5	RING	BRASS	GOLD	R-0001-G	



All Connectors

www.allconnectors.de info@allconnectors.de
 tel.: 0049 7141 700940 fax: 0049 7141 700904
 70794 Filderstadt - Germany Kellermeister, 25

TITLE **SMC MALE CRIMP FOR
RG316U,174U**

PART NO. **SMC-06LV1-TGG**

DRAWING NO. **SMC 06LV1 TGG**

DRAWN **MARY** DATE **96.06.29**

CHECKED **蘇志欣** DATE

Q.A. **蘇姿潔** DATE

APPROVAL **徐燦霖** DATE

REVISION DATE

DIMENSIONS ARE IN MILLIMETERS

UNLESS OTHERWISE SPECIFIED
TOLERANCE

0.5-5=±0.2	120-315=±1
5-30=±0.4	315-1000=±1.6
30-120±0.6	1000-2000=±2.4

SCALE **4:1** SIZE **A**

REVISION

DESCRIPTION	ENGINEER