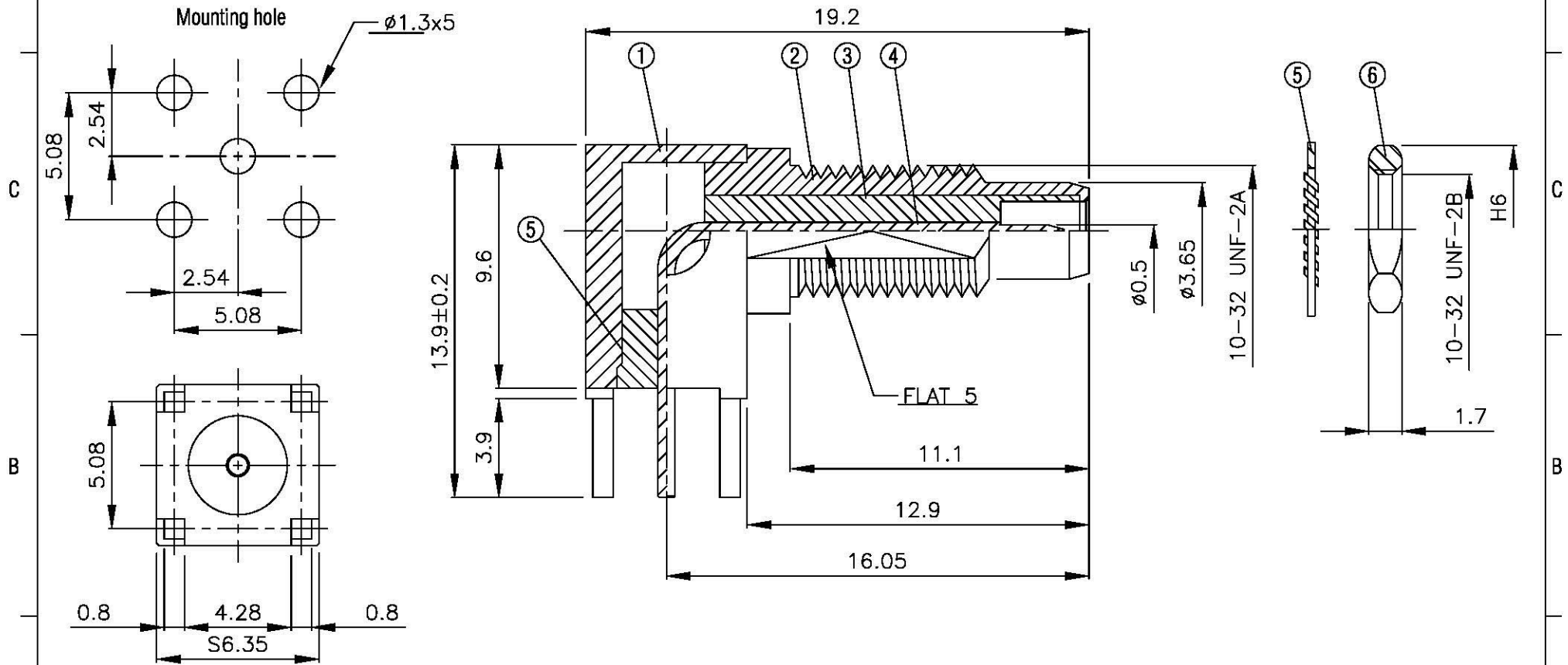
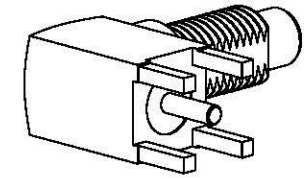
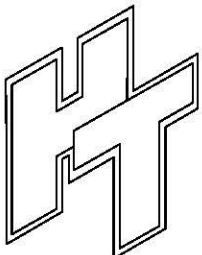


| NO | DESCRIPTION | MATERIAL | Q'TY | FINISH | REMARK |
|----|--------------|----------|------|--------|-------------|
| 1 | BODY 1 | BRASS | 1 | GOLD | B-SMA0086-G |
| 2 | BODY 2 | BRASS | 1 | GOLD | B-SMC1102-G |
| 3 | INSULATION 1 | TEFLON | 1 | TEFLON | I-0383T |
| 4 | PIN | BRASS | 1 | GOLD | P-SMB0554-G |
| 5 | INSULATION 2 | TEFLON | 1 | TEFLON | I-0055T |
| 6 | WASHER | BRASS | 1 | GOLD | W-0009-G |
| 7 | NUT | BRASS | 1 | GOLD | N-0005-G |



| | | | | | | | |
|---|---|--|--|---|---|--------------------------------|-----------------|
|  | Allconnectors <small>www.allconnectors.de Tel: +0049 711 7005503 70754 Filzbergstr. - Germany</small> | | DRAWN MARY CHECKED 蘇姿潔 Q.A. 馮健華 APPROVAL 徐燦霖 REVISION | DATE 95.08.28 DATE DATE DATE | DIMENSIONS ARE IN MILLIMETERS UNLESS OTHERWISE SPECIFIED TOLERANCE 0.5-5=±0.2 120-315=±1 5-30=±0.4 315-1000=±1.6 30-120±0.6 1000-2000=±2.4 | REVISION | |
| | TITLE SMC ANGLE MALE FOR PCB MOUNT RECEPTACLE BULKHEAD | | | | | DESCRIPTION | ENGINEER |
| | PART NO. SMC-05V5-TGG | | | | | | |
| | DRAWING NO. SMC 05V5 TGG | | | | | | |
| | | | | | | SCALE 4:1 SIZE A | |