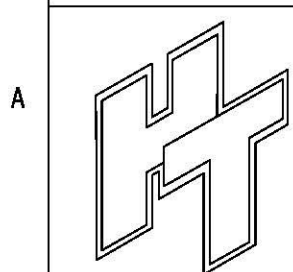
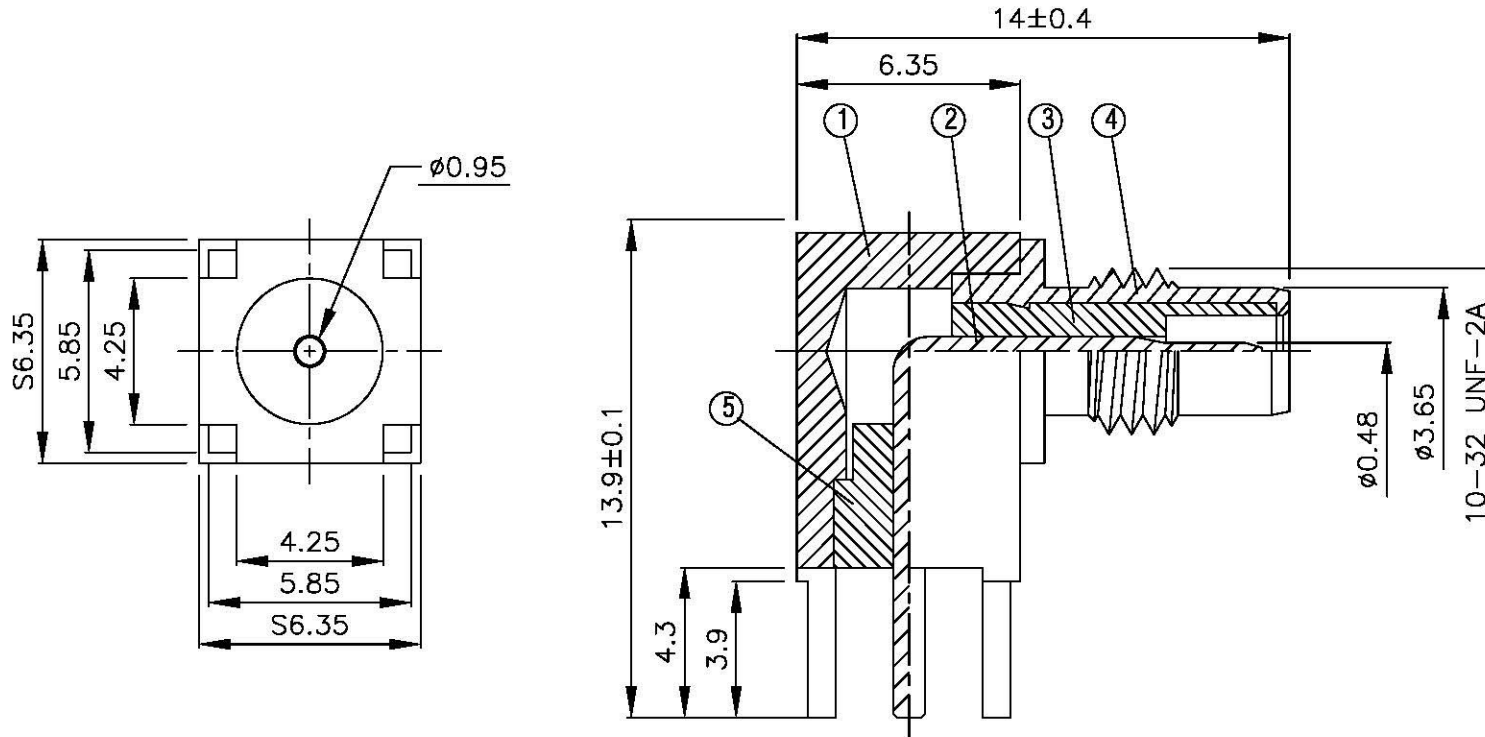
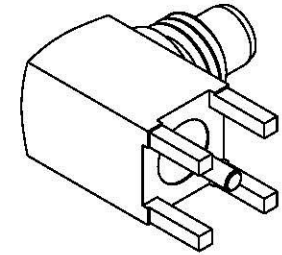


| NO | DESCRIPTION | MATERIAL | Q'TY | FINISH | REMARK |
|----|--------------|-----------|------|--------|-------------|
| 1 | BODY 1 | BRASS | 1 | GOLD | B-SMA0086-G |
| 2 | PIN | PH.BRONZE | 1 | GOLD | P-SMB0153-G |
| 3 | INSULATION 1 | TEFLON | 1 | TEFLON | I-0058T |
| 4 | BODY 2 | BRASS | 1 | GOLD | B-SMC0333-G |
| 5 | INSULATION 2 | TEFLON | 1 | TEFLON | I-0055T |



All Connectors
 www.allconnectors.de
 Tel.: 0049 711 7009103
 40294 Hohenstein, Germany
 info@allconnectors.de
 Fax: 0049 711 7009104
 Kellernstraße 25

TITLE
SMC MALE ANGLE PC MOUNT

PART NO.
SMC-05-TGG

DRAWING NO.
SMC 05 TGG

DRAWN MARY
DATE 91.03.30

CHECKED 黄巧君
DATE

Q.A. 蘇姿潔
DATE

APPROVAL 徐燦霖
DATE

REVISION
DATE

DIMENSIONS ARE IN MILLIMETERS

UNLESS OTHERWISE SPECIFIED TOLERANCE

| | |
|--------------------|-----------------------|
| 0.5-5 = ± 0.2 | 120-315 = ± 1 |
| 5-30 = ± 0.4 | 315-1000 = ± 1.6 |
| 30-120 = ± 0.6 | 1000-2000 = ± 2.4 |

SCALE 4:1 **SIZE** A

| REVISION | |
|-------------|----------|
| DESCRIPTION | ENGINEER |
| | |
| | |
| | |