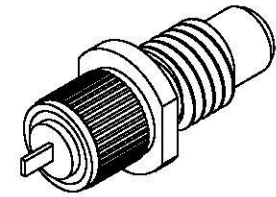


NO	DESCRIPTION	MATERIAL	Q'TY	FINISH	REMARK
1	INSULATION	TEFLON	1	TEFLON	I-0011T
2	PIN	PH.BRONZE	1	GOLD	P-SMC0092-G
3	BODY	BRASS	1	GOLD	B-SMC0144-G



D

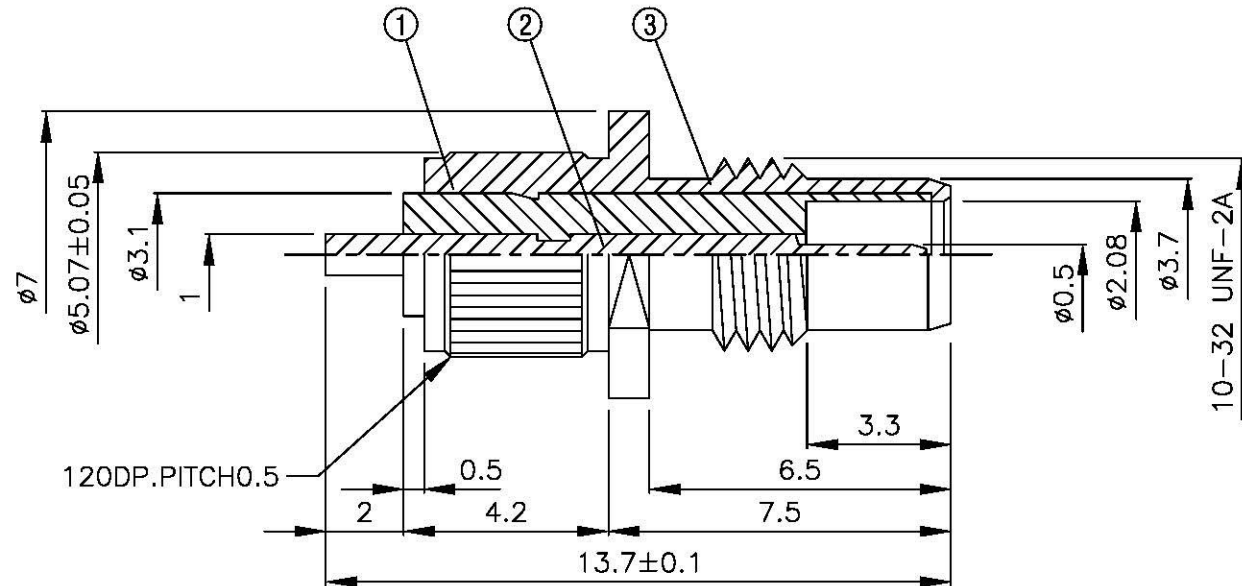
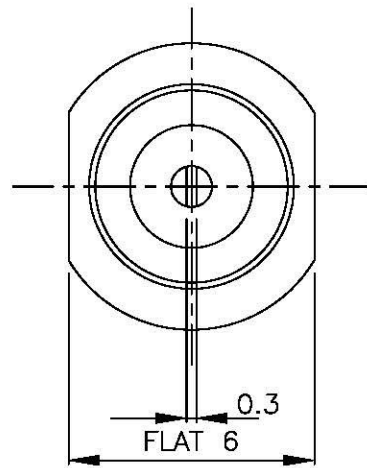
D

C

C

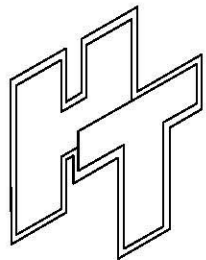
B

B



A

A



All Connectors

www.allconnectors.de
Tel.: 0049 711 3009563
70794 Hohenstadt, Germany

Info@allconnectors.de
Fax: 0049 711 3009704
Bollmannstr. 25

TITLE **SMC PLUG BULKHEAD
SOLDER**

PART NO. **SMC-04-TGG**

DRAWING NO. **SMC 04 TGG**

DRAWN **MARY** DATE **96.06.29**

CHECKED **蘇志欣** DATE

Q.A. **蘇姿潔** DATE

APPROVAL **徐燦霖** DATE

REVISION DATE

DIMENSIONS ARE IN MILLMETER

UNLESS OTHERWISE SPECIFIED
TOLERANCE

0.5-5=±0.2 120-315=±1

5-30=±0.4 315-1000=±1.6

30-120=±0.6 1000-2000=±2.4

SCALE **4:1** SIZE **A**

REVISION

DESCRIPTION ENGINEER

4

3

2

1