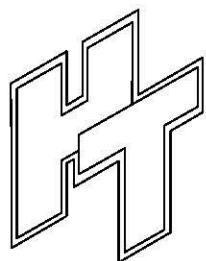
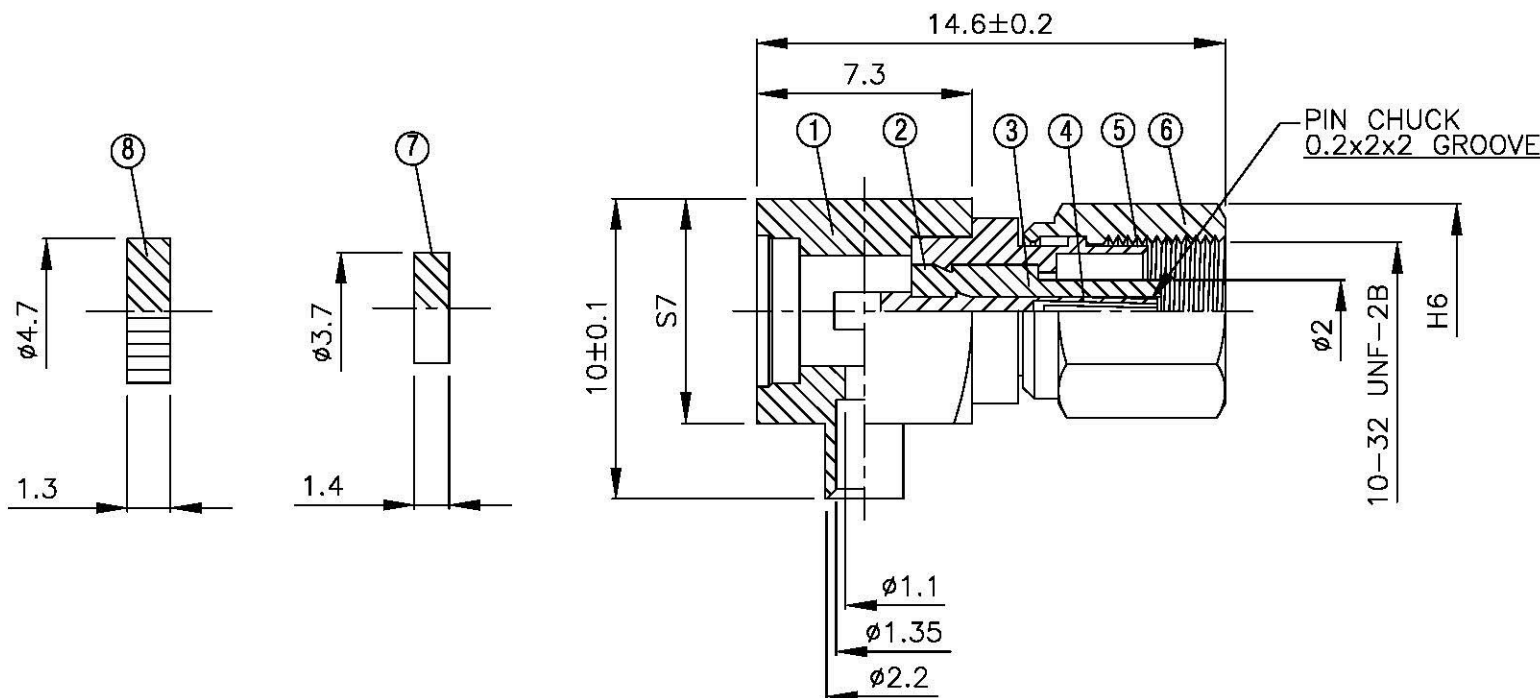
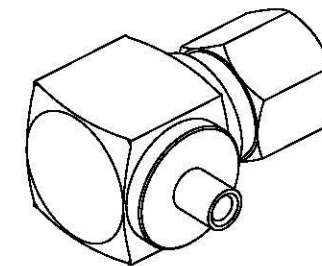


NO	DESCRIPTION	MATERIAL	Q'TY	FINISH	REMARK
1	BODY 1	BRASS	1	GOLD	B-SMB0254-G
2	INSULATION 1	TEFLON	1	TEFLON	I-0053T
3	PIN	BE CU	1	GOLD	P-SMB0145-G
4	BODY 2	BRASS	1	GOLD	B-SMC0478-G
5	BODY 3	BRASS	1	GOLD	B-SMC0262-G
6	INSULATION 2	TEFLON	1	TEFLON	I-0136T
7	WASHER	BRASS	1	GOLD	W-0023-G



**All Connectors**

www.allconnectors.de  
Tel.: 0049 711 7009503  
70779 Hilderstet - Germany

info@allconnectors.de  
Fax: 0049 711 7009504  
Kettnerstr. 25

TITLE SMC FEMALE ANGLE SOLDER  
FOR M17/151 (.047)

PART NO. SMC-03V3-TGG

DRAWING NO. SMC 03V3 TGG

DRAWN MARY DATE 96.06.29

CHECKED 蘇志欣 DATE

Q.A. 蘇姿潔 DATE

APPROVAL 徐燦霖 DATE

REVISION DATE

DIMENSIONS ARE IN MILLIMETERS

UNLESS OTHERWISE SPECIFIED  
TOLERANCE

0.5-5=±0.2 120-315=±1

5-30=±0.4 315-1000=±1.6

30-120±0.6 1000-2000=±2.4

SCALE 4:1 SIZE A

REVISION

DESCRIPTION ENGINEER

D

C

B

A

D

C

B

A

4

3

2

1