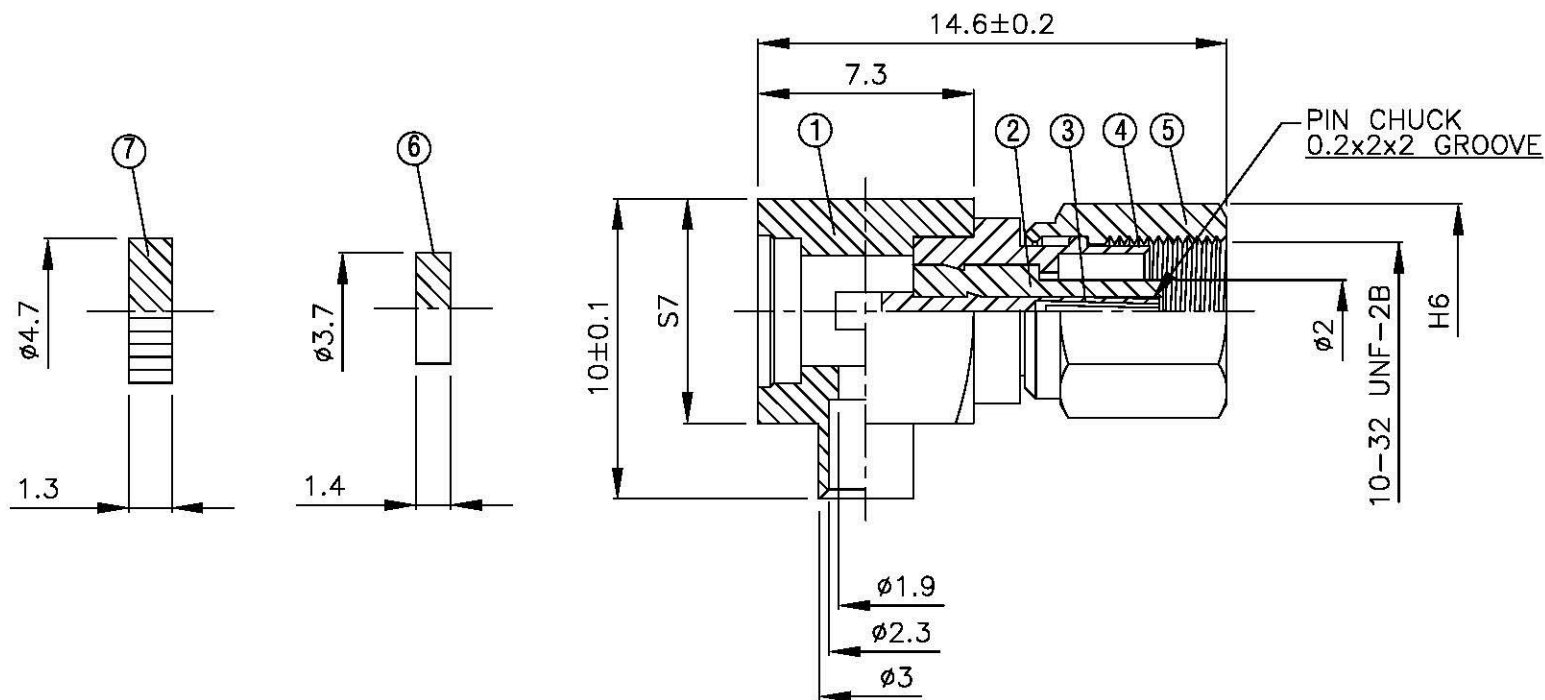
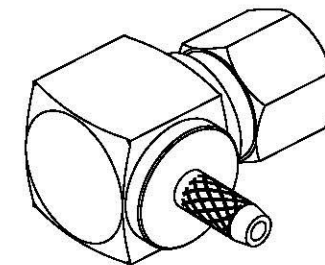
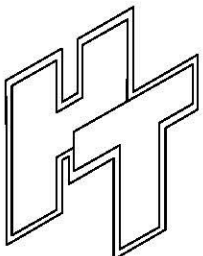



NO	DESCRIPTION	MATERIAL	Q'TY	FINISH	REMARK
1	BODY 1	BRASS	1	GOLD	B-SMB0253-G
2	INSULATION 1	TEFLON	1	TEFLON	I-0053T
3	PIN	BE CU	1	GOLD	P-SMB0145-G
4	BODY 2	BRASS	1	GOLD	B-SMC0478-G
5	BODY 3	BRASS	1	GOLD	B-SMC0262-G
6	INSULATION 2	TEFLON	1	TEFLON	I-0136T
7	WASHER 1	BRASS	1	GOLD	W-0023-G



	 <small>www.allconnectors.de info@allconnectors.de</small> <small>Tel: 0049 711 7002803 Fax: 0049 711 7002804</small> <small>48264 Hillebrunn, Germany Remscheid, DE</small>	DRAWN MARY DATE 96.06.29	DIMENSIONS ARE IN MILLIMETERS		REVISION		
		CHECKED 蘇志欣	DATE	UNLESS OTHERWISE SPECIFIED TOLERANCE		DESCRIPTION	ENGINEER
		Q.A. 蘇姿潔	DATE	0.5-5=±0.2 120-315=±1			
		APPROVAL 徐燦霖	DATE	5-30=±0.4 315-1000=±1.6			
		REVISION	DATE	30-120±0.6 1000-2000=±2.4	SCALE 4:1	SIZE A	
TITLE SMC FEMALE ANGLE SOLDER FOR RG 405 (.085)	PART NO. SMC-03V1-TGG	DRAWING NO. SMC 03V1 TGG					