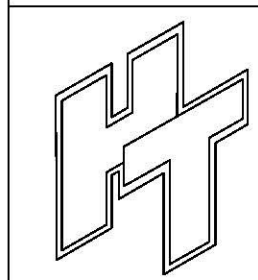
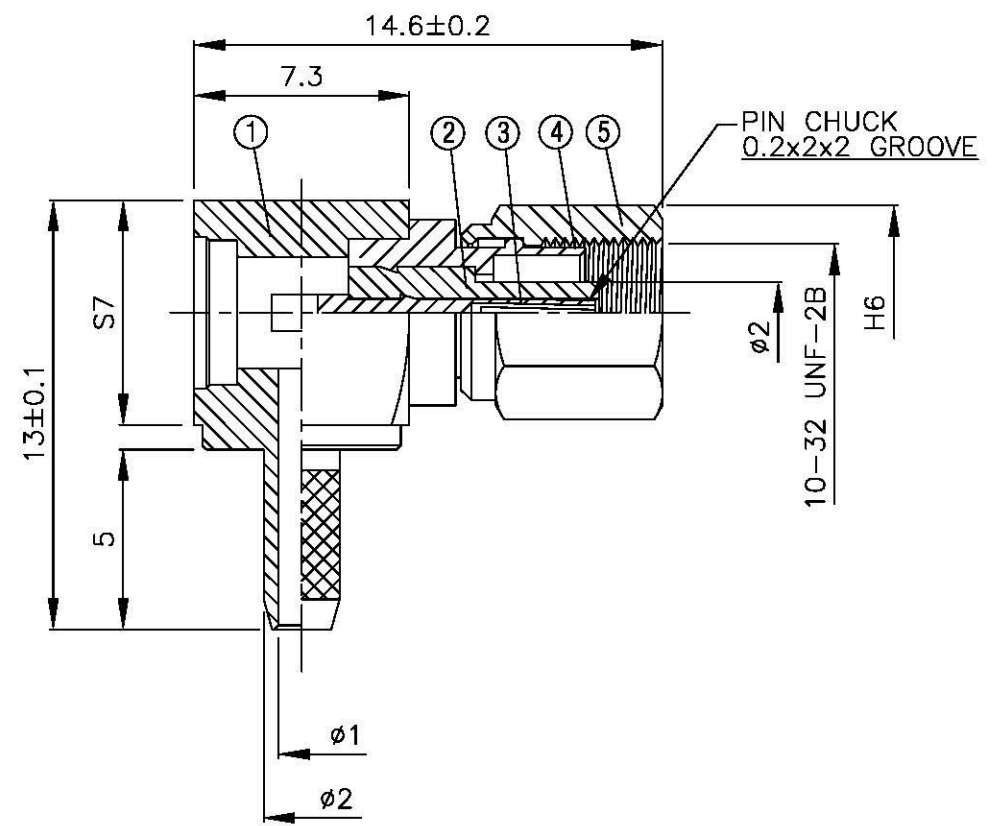
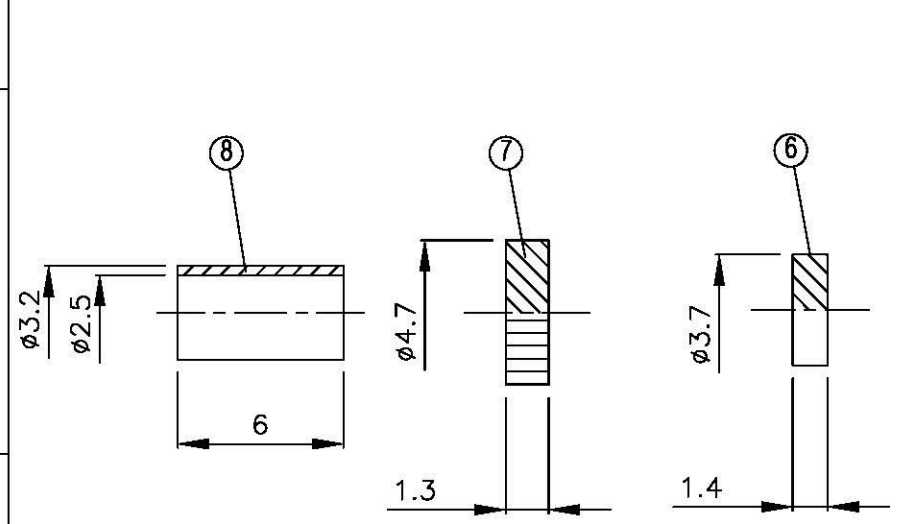
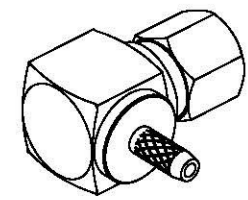


NO	DESCRIPTION	MATERIAL	Q'TY	FINISH	REMARK
1	BODY 1	BRASS	1	GOLD	B-SMA0214-G
2	INSULATION 1	TEFLON	1	TEFLON	I-0053T
3	PIN	BE CU	1	GOLD	P-SMB0145-G
4	BODY 2	BRASS	1	GOLD	B-SMC0261-G
5	BODY 3	BRASS	1	GOLD	B-SMC0262-G
6	INSULATION 2	TEFLON	1	TEFLON	I-0136T
7	WASHER 2	BRASS	1	GOLD	W-0023-G
8	RING	BRASS	1	GOLD	R-0022-G



All Connectors
 www.allconnectors.se info@allconnectors.se
 Tel: +46 (0)8 713 7000 Fax: +46 (0)8 713 7000
 Kungälv, Sweden

TITLE: SMC FEMALE CRIMP FOR RG178/U
 PART NO.: SMC-03M-TGG
 DRAWING NO.: SMC 03M TGG

DRAWN MARY DATE 96.06.29
 CHECKED 蘇志欣 DATE
 Q.A. 蘇姿潔 DATE
 APPROVAL 徐燦霖 DATE
 REVISION DATE

DIMENSIONS ARE IN MILLIMETERS
 UNLESS OTHERWISE SPECIFIED TOLERANCE
 0.5-5 = ± 0.2 120-315 = ± 1
 5-30 = ± 0.4 315-1000 = ± 1.6
 30-120 = ± 0.6 1000-2000 = ± 2.4

SCALE 4:1 SIZE A

REVISION	
DESCRIPTION	ENGINEER