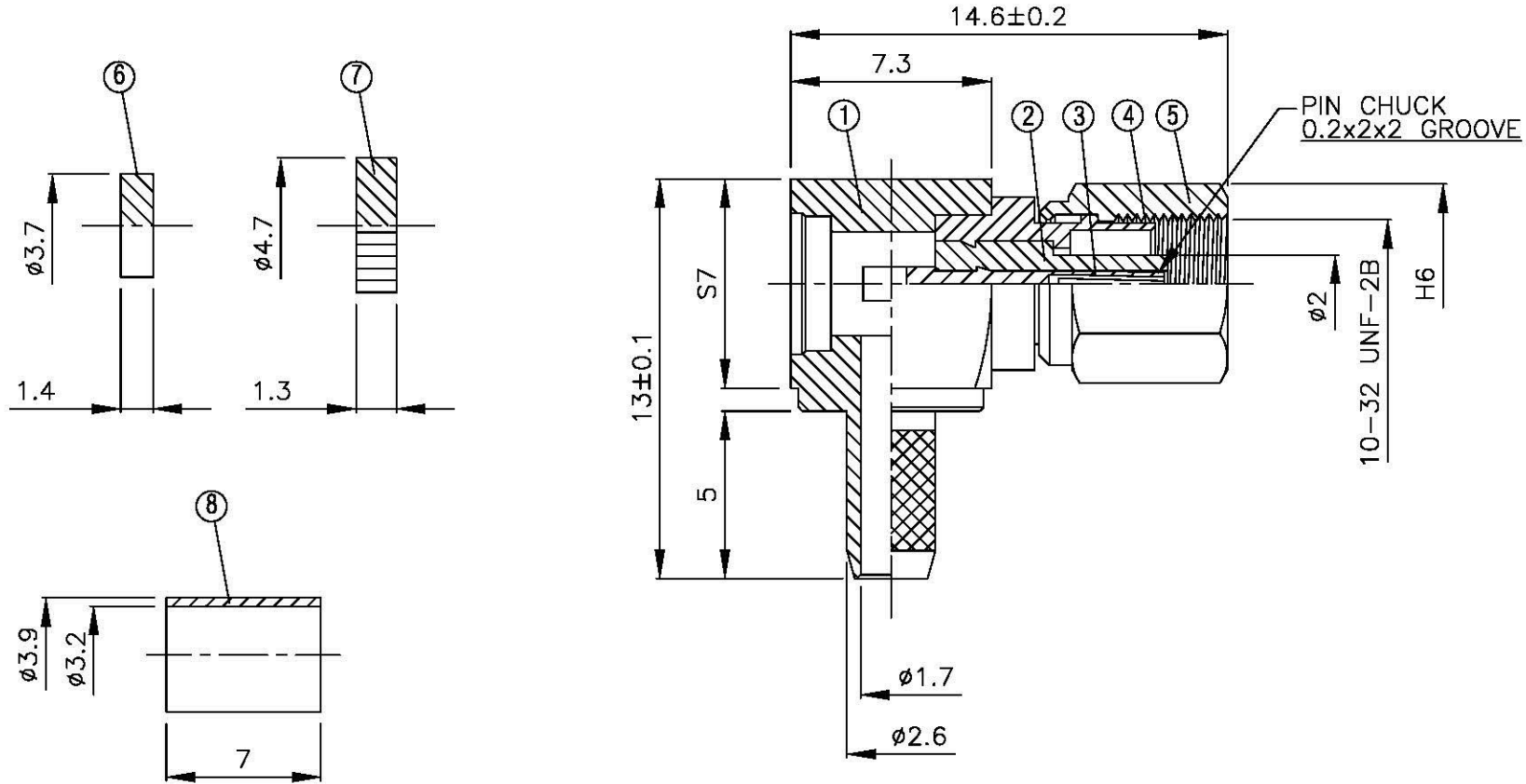
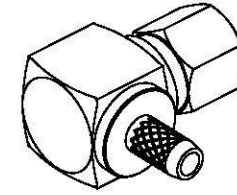
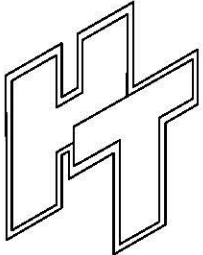



NO	DESCRIPTION	MATERIAL	Q'TY	FINISH	REMARK
1	BODY 1	BRASS	1	GOLD	B-SMA0155-G
2	INSULATION 1	TEFLON	1	TEFLON	I-0053T
3	PIN	BE CU	1	GOLD	P-SMB0145-G
4	BODY 2	BRASS	1	GOLD	B-SMC0478-G
5	BODY 3	BRASS	1	GOLD	B-SMC0262-G
6	INSULATION 2	TEFLON	1	TEFLON	I-0136T
7	WASHER	BRASS	1	GOLD	W-0023-G
8	RING	BRASS	1	GOLD	R-0001-G



		DRAWN MARY DATE 96.06.29	DIMENSIONS ARE IN MILLIMETERS		REVISION		
	<small>www.allconnectors.de Tel.: 0049 711 200500 79724 Illerstadt - Germany</small>	<small>info@allconnectors.de Fax: 0049 711 200501 Kettnerstr. 25</small>	CHECKED 蘇志欣 DATE	UNLESS OTHERWISE SPECIFIED TOLERANCE		DESCRIPTION	ENGINEER
	TITLE SMC FEMALE CRIMP FOR RG174/U,316/U	Q.A. 蘇姿潔 DATE	0.5-5=±0.2    120-315=±1 5-30=±0.4    315-1000=±1.6 30-120±0.6    1000-2000=±2.4				
	PART NO. SMC-03LV1-TGG	APPROVAL 徐燦霖 DATE	SCALE	4:1	SIZE	A	
	DRAWING NO. SMC 03LV1 TGG	REVISION DATE					