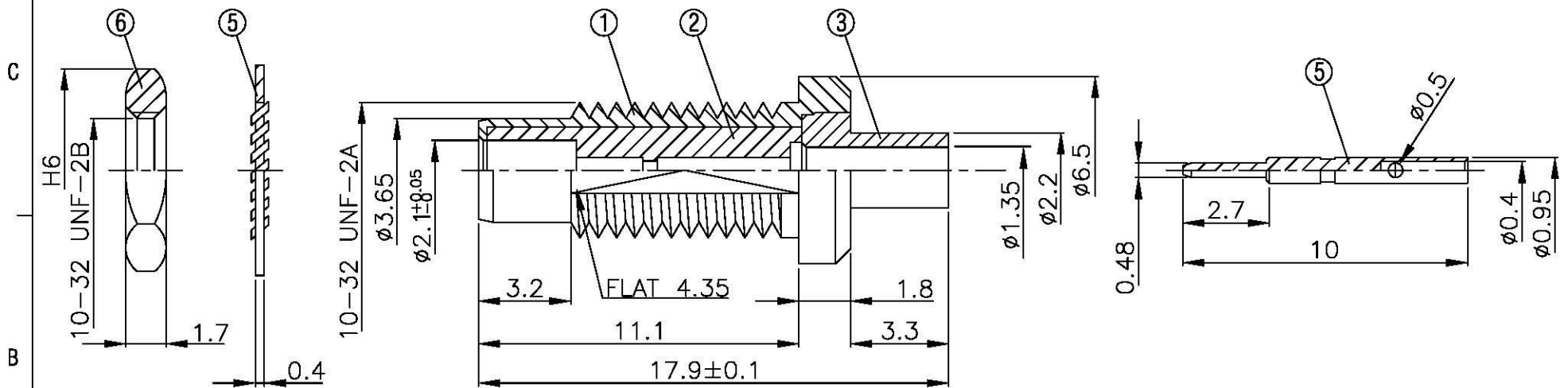
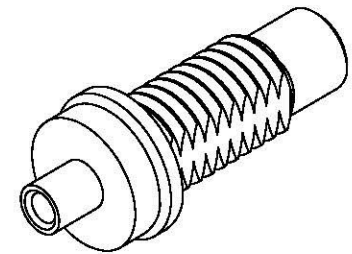


NO	DESCRIPTION	MATERIAL	Q'TY	FINISH	REMARK
1	BODY 1	BRASS	1	GOLD	B-SMC0151-G
2	INSULATION	TEFLON	1	TEFLON	I-0015T
3	BODY 2	BRASS	1	GOLD	B-SMB0175-G
4	PIN	BRASS	1	GOLD	P-SMC00115-G
5	WASHER	BRASS	1	GOLD	W-0009-G
6	NUT	BRASS	1	GOLD	N-0005-G



		DRAWN MARY DATE 96.06.29	DIMENSIONS ARE IN MILLMETERS		REVISION		
	<small>www.allconnectors.de Tel.: 0049 711 7000803 40784 Hildesheim, Germany</small>	<small>info@allconnectors.de Fax: 0010 711 7000801 Kettelerstr. 22</small>	CHECKED 蘇志欣 DATE	UNLESS OTHERWISE SPECIFIED TOLERANCES		DESCRIPTION	ENGINEER
	TITLE SMC FEMALE SOLDER FOR M 17/151,(.047)	Q.A. 蘇姿潔 DATE	APPROVAL 徐燦霖 DATE	0.5-5=±0.2    120-315=±1			
	PART NO. SMC-01V3-TGG	REVISION	DATE	5-30=±0.4    315-1000=±1.6			
	DRAWING NO. SMC 01V3 TGG		DATE	30-120=±0.6    1000-2000=±2.4	SCALE 4:1	SIZE A	