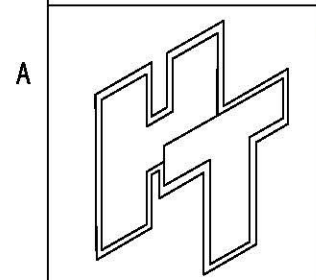
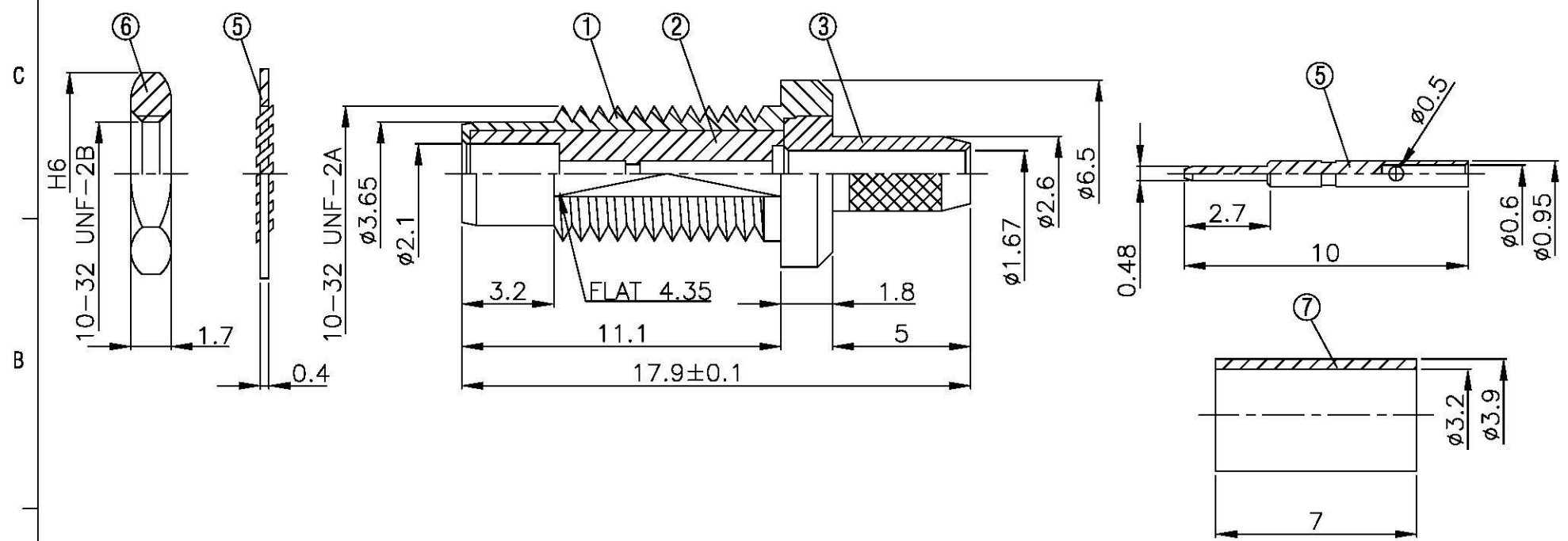
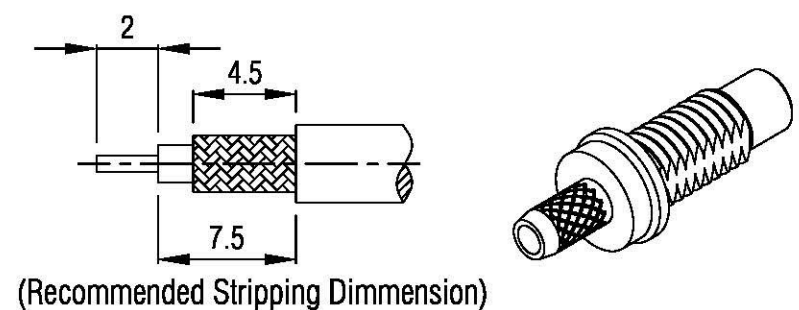


NO	DESCRIPTION	MATERIAL	Q'TY	FINISH	REMARK
1	BODY 1	BRASS	1	GOLD	B-SMC0151-G
2	INSULATION	TEFLON	1	TEFLON	I-0015T
3	BODY 2	BRASS	1	GOLD	B-SMB0172-G
4	PIN	BRASS	1	GOLD	P-SMC0097-G
5	WASHER	BRASS	1	GOLD	W-0009-G
6	NUT	BRASS	1	GOLD	N-0005-G
7	RING	BRASS	1	GOLD	R-0001-G



All Connectors
 www.allconnectors.de
 Tel: 0049 714 7005500
 0049 714 7005500
 info@allconnectors.de
 Fax: 0049 714 7005501
 kontakt@allconnectors.de

TITLE SMC MALE CRIMP FOR
 RG 174/U,316/U

PART NO. SMC-01LV1-TGG

DRAWING NO. SMC 01LV1 TGG

DRAWN MARY
 CHECKED 蘇姿潔
 Q.A. 馮健華
 APPROVAL 徐燦霖
 REVISION

DATE 89.09.15
 DATE
 DATE
 DATE

DIMENSIONS ARE IN MILLIMETERS

UNLESS OTHERWISE SPECIFIED
 TOLERANCES

0.5-5=±0.2 120-315=±1
 5-30=±0.4 315-1000=±1.6
 30-120=±0.6 1000-2000=±2.4

SCALE 4:1 SIZE A

REVISION	
DESCRIPTION	ENGINEER