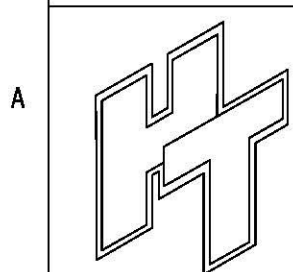
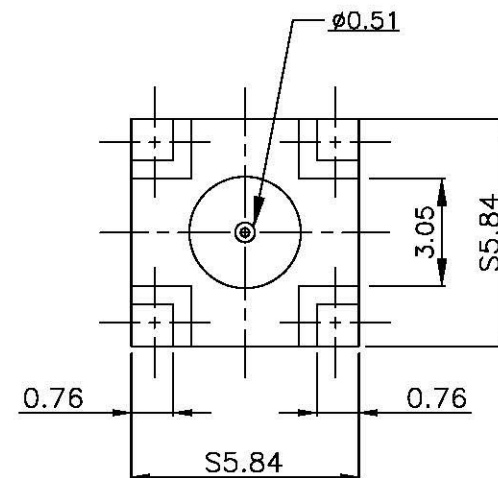
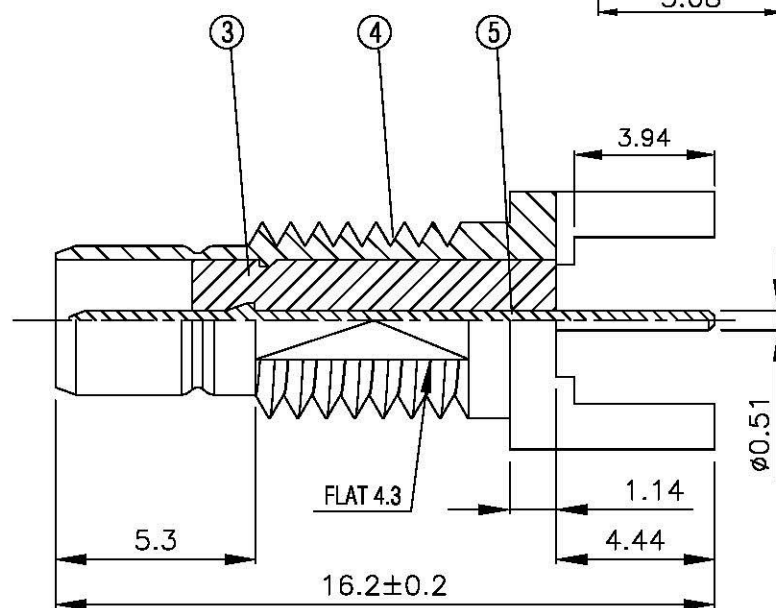
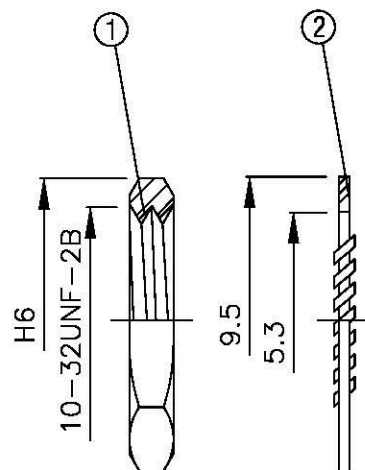
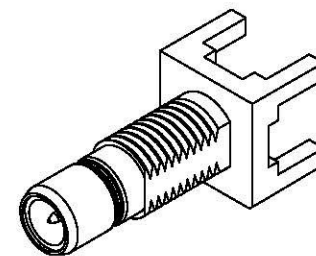
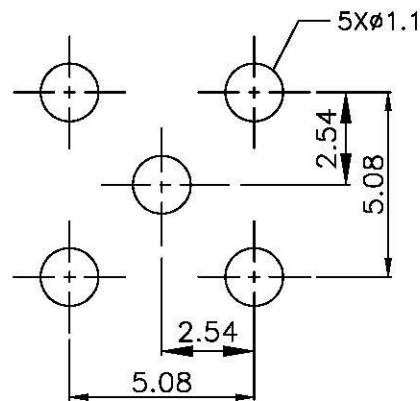


NO	DESCRIPTION	MATERIAL	Q'TY	FINISH	REMARK
1	NUT	BRASS	1	GOLD	N-0005-G
2	WASHER	BRASS	1	GOLD	W-0009-G
3	INSULATION	TEFLON	1	TEFLON	I-0527T
4	BODY	BRASS	1	GOLD	B-SMB1098-G
5	PIN	PH.BRONZE	1	GOLD	P-SMB0763-G



**Allconnectors**  
 www.allconnectors.de  
 Tel.: 0049 711 7009203  
 70774 Ulm/Leutkirch - Germany  
 info@allconnectors.de  
 Fax: 0049 711 7009204  
 keller@allconnectors.de

TITLE **SMB MALE PCB MOUNT (75 OHM)**

PART NO. **SMB-34-TGG-75**

DRAWING NO. **SMB-34-TGG-75**

DRAWN **MARY** DATE **95.06.27**

CHECKED **黄巧君** DATE **95.06.27**

Q.A. **沈佳博** DATE

APPROVAL **徐燦霖** DATE

REVISION DATE

DIMENSIONS ARE IN MILLIMETERS

UNLESS OTHERWISE SPECIFIED TOLERANCE

0.5-5=±0.2	120-315=±1
5-30=±0.4	315-1000=±1.6
30-120±0.6	1000-2000=±2.4

SCALE **4:1** SIZE **A**

REVISION	
DESCRIPTION	ENGINEER