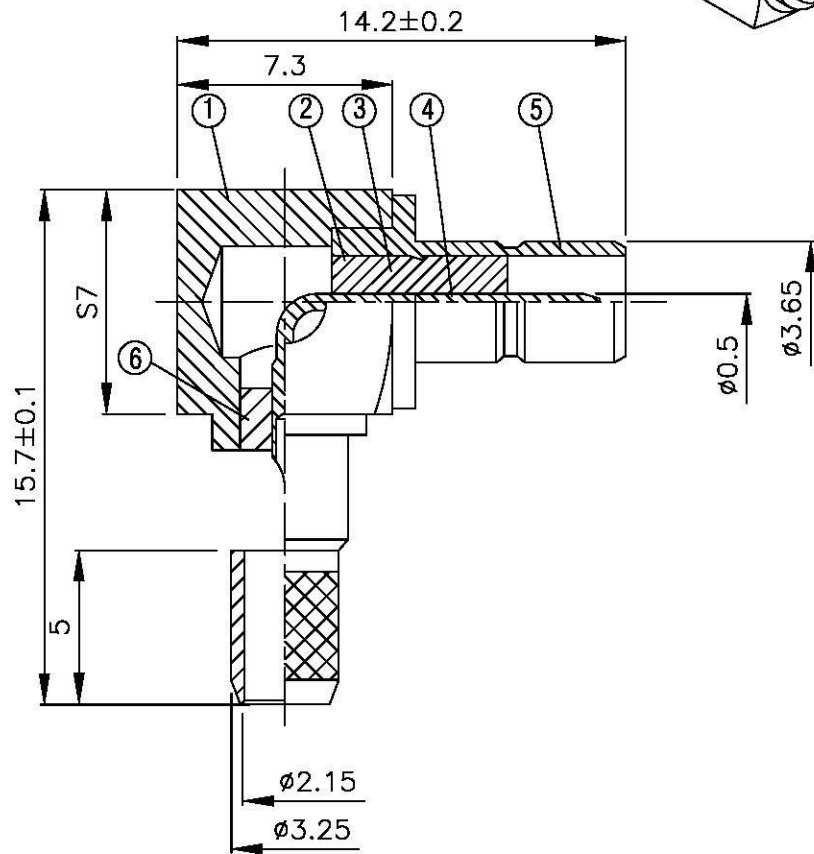
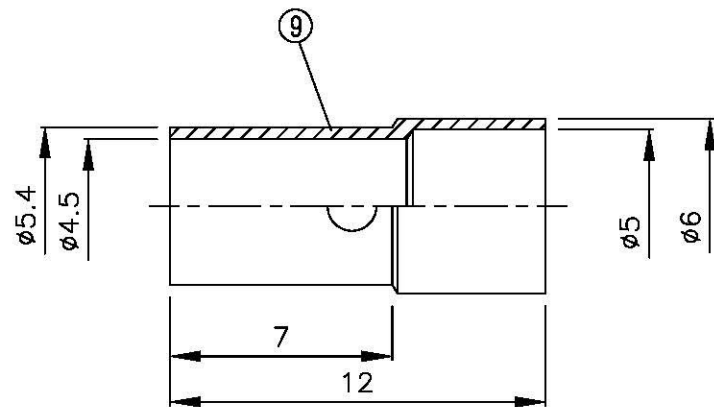
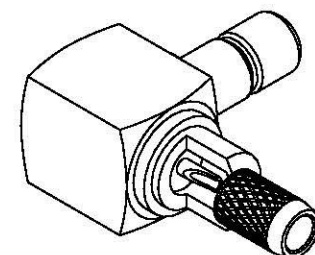
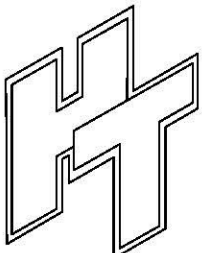



NO	DESCRIPTION	MATERIAL	Q'TY	FINISH
1	BODY 1	BRASS	1	GOLD
2	WASHER 1	BRASS	1	GOLD
3	INSULATION 1	TEFLON	1	TEFLON
4	PIN	BE CU	1	GOLD
5	BODY 2	BRASS	1	GOLD
6	BODY 3	BRASS	1	GOLD
7	WASHER 2	BE CU	1	NICKEL
8	INSULATION 2	TEFLON	1	TEFLON
9	RING	BRASS	1	GOLD



	 <small>www.allconnectors.de    info@allconnectors.de</small> <small>tel.: 0049 733 700500    fax: 0049 733 700504</small> <small>90754 Eichenhof · Germany    Kettweg 25</small>	DRAWN    MARY    DATE    96.06.29	DIMENSIONS ARE IN MILLIMETERS		REVISION	
		CHECKED    蘇志欣	UNLESS OTHERWISE SPECIFIED TOLERANCE		DESCRIPTION	ENGINEER
		Q.A.    蘇姿潔	0.5-5=±0.2	120-315=±1		
		APPROVAL    徐燦霖	5-30=±0.4	315-1000=±1.6		
		REVISION	30-120±0.6	1000-2000=±2.4		
TITLE    SMB MALE ANGLE CRIMP FOR BT3002 (75 ohm)	PART NO.    SMB-24V1F-TGG	DRAWING NO.    SMB 24V1F TGG	SCALE    4:1    SIZE    A			