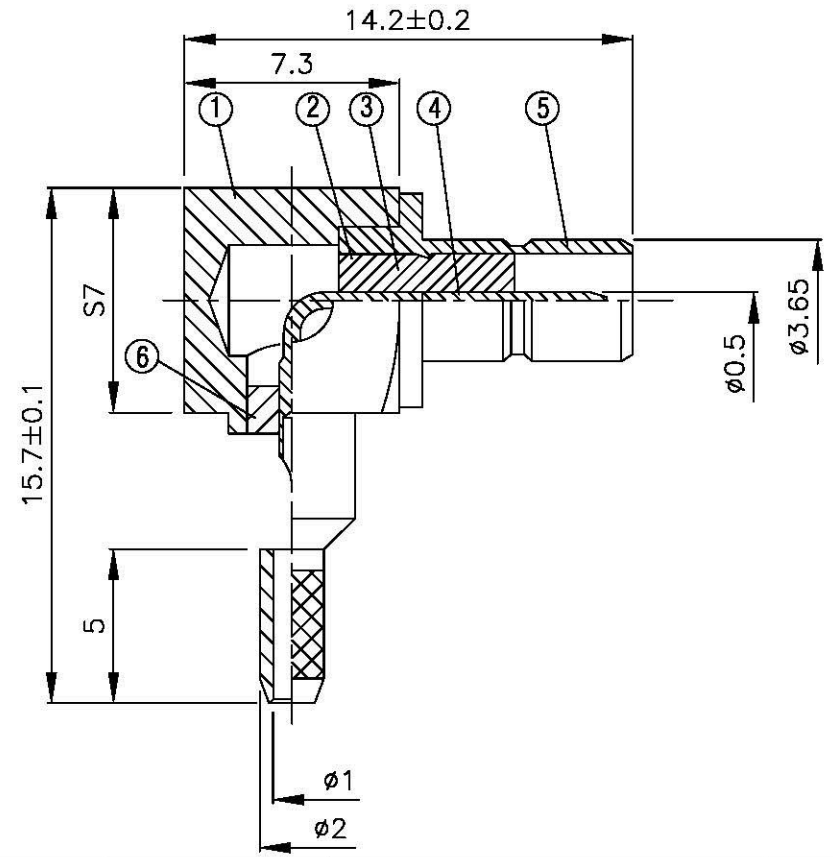
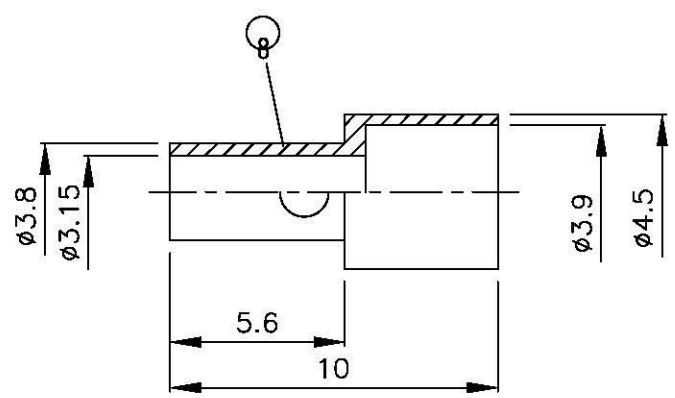
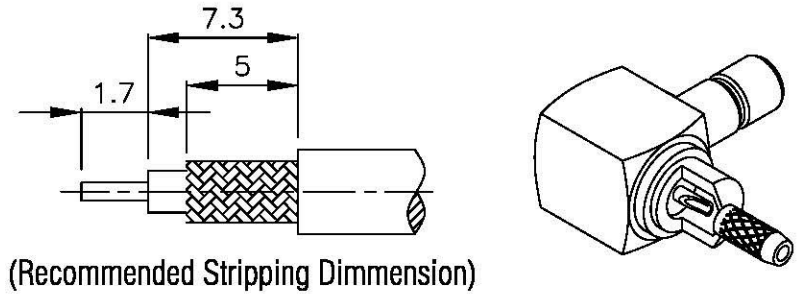
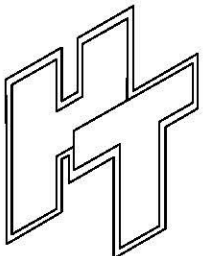



NO	DESCRIPTION	MATERIAL	Q'TY	FINISH
1	BODY 1	BRASS	1	GOLD
2	WASHER 1	BRASS	1	GOLD
3	INSULATION 1	TEFLON	1	TEFLON
4	PIN	BE CU	1	GOLD
5	BODY 2	BRASS	1	GOLD
6	BODY 3	BRASS	1	GOLD
7	WASHER 2	BE CU	1	NICKEL
8	INSULATION 2	TEFLON	1	TEFLON
9	RING	BRASS	1	GOLD



			DRAWN MARY CHECKED 黃巧君 Q.A. 蘇姿潔 APPROVAL 徐燦霖 REVISION	DATE 96.03.12 DATE DATE DATE	DIMENSIONS ARE IN MILLIMETERS UNLESS OTHERWISE SPECIFIED TOLERANCE 0.5-5=±0.2 120-315=±1 5-30=±0.4 315-1000=±1.6 30-120±0.6 1000-2000=±2.4	REVISION DESCRIPTION ENGINEER		
	TITLE SMB MALE ANGLE CRIMP FOR RG179/U (75 ohm)							
	PART NO. SMB-24N-TGG							
	DRAWING NO. SMB 24N TGG							
					SCALE 4:1 SIZE A			