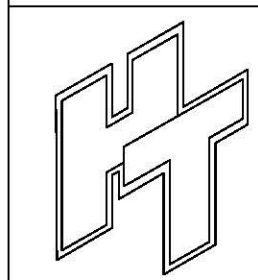
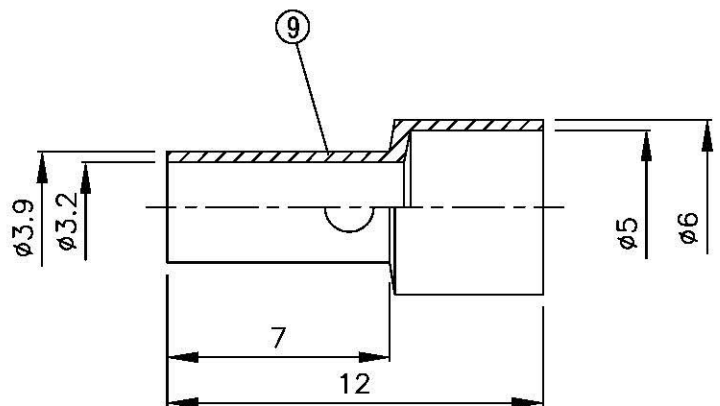
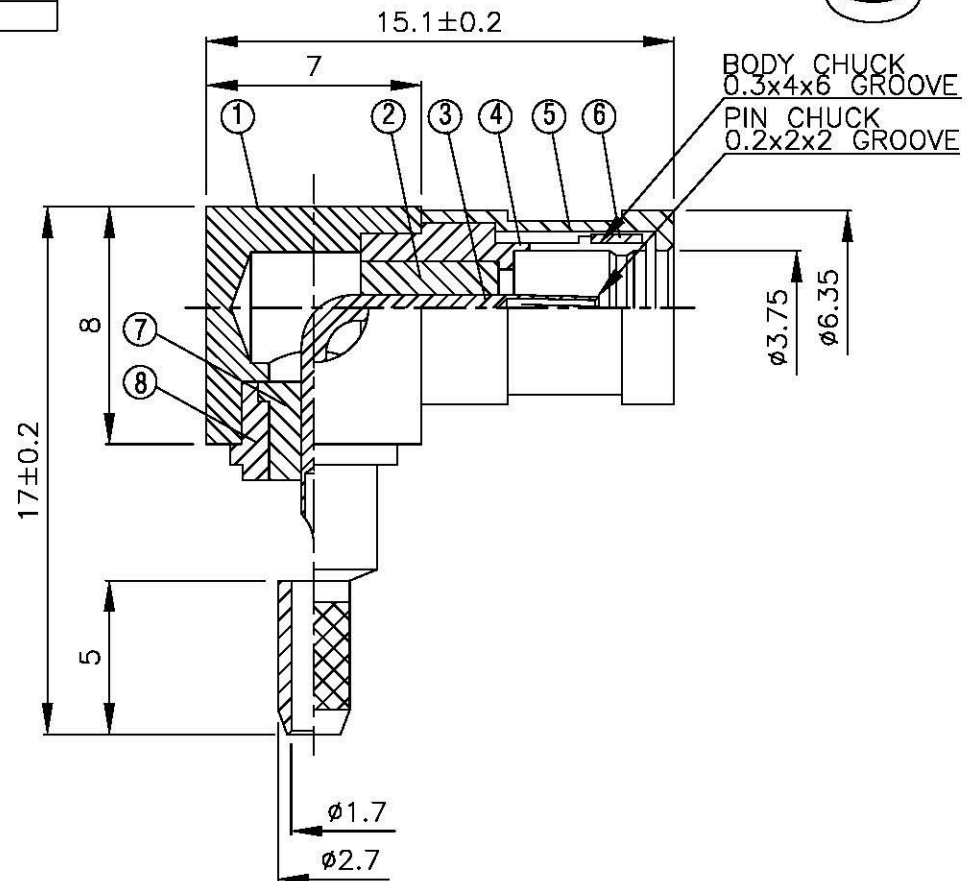
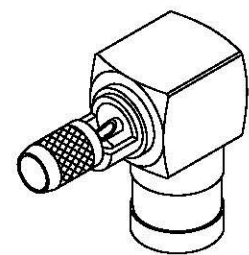
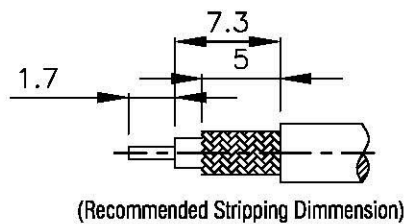


NO	DESCRIPTION	MATERIAL	Q'TY	FINISH	REMARK
1	BODY 1	BRASS	1	GOLD	B-SMB0602-G
2	INSULATION 1	TEFLON	1	TEFLON	I-0072T
3	PIN	BE CU	1	GOLD	P-SMB0394-G
4	BODY 2	BRASS	1	GOLD	B-SMB0479-G
5	BODY 3	BRASS	1	GOLD	B-SMB0245-G
6	WASHER 2	BE CU	1	NICKEL	W-0035-N
7	INSULATION 2	TEFLON	1	TEFLON	I-0280T
8	BODY 4	BRASS	1	GOLD	B-SMB0635-G
9	RING	BRASS	1	GOLD	R-0058-G



Allconnectors
www.allconnectors.com
Tel.: 0049 7141 7000500
70794 Filderstadt - Germany

Info@allconnectors.com
Fax: 0049 7141 7000504
Kettnerstr. 25

TITLE **SMB FEMALE ANGLE CRIMP FOR RG-179/U (75 OHM)**

PART NO. **SMB-19N-TGG**

DRAWING NO. **SMB 19N TGG**

DRAWN **MARY** DATE **96.06.22**

CHECKED **蘇志欣** DATE

Q.A. **蘇姿潔** DATE

APPROVAL **徐燦霖** DATE

REVISION DATE

DIMENSIONS ARE IN MILLIMETERS

UNLESS OTHERWISE SPECIFIED TOLERANCE

0.5-5=±0.2 120-315=±1
5-30=±0.4 315-1000=±1.6
30-120±0.6 1000-2000=±2.4

SCALE **4:1** SIZE **A**

REVISION	
DESCRIPTION	ENGINEER