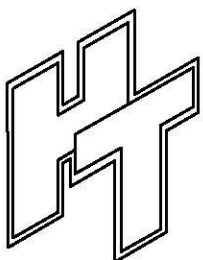
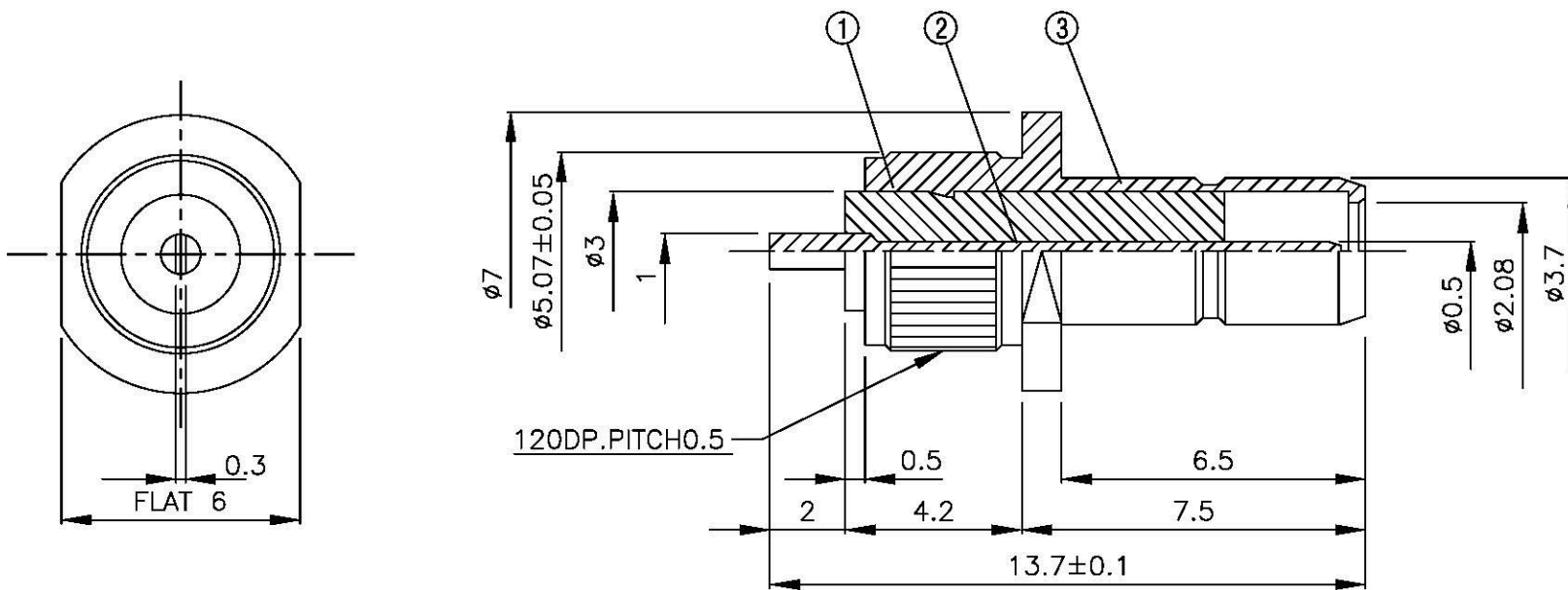
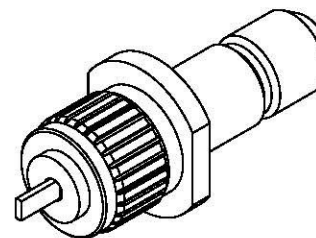


NO	DESCRIPTION	MATERIAL	Q'TY	FINISH
1	INSULATION	TEFLON	1	TEFLON
2	PIN	PH.BRONZE	1	GOLD
3	BODY	BRASS	1	GOLD



**Allconnectors**

www.allconnectors.com  
 TEL: 0049 711 7009208  
 ALLIED ELECTRONICS - Germany  
 info@allconnectors.com  
 FAX: 0049 711 7009204  
 Kellerstraße 20

TITLE **SMB PLUG BULKHEAD  
 SOLDER(75OHM)**

PART NO. **SMB-17V5-TGG-75**

DRAWING NO. **SMB 17V5 TGG 75**

DRAWN **MARY** DATE **96.03.13**

CHECKED **黃巧君** DATE

Q.A. **蘇姿潔** DATE

APPROVAL **徐燦霖** DATE

REVISION DATE

DIMENSIONS ARE IN MILLMETER

UNLESS OTHERWISE SPECIFIED  
 TOLERANCE

0.5-5=±0.2 120-315=±1

5-30=±0.4 315-1000=±1.6

30-120=±0.6 1000-2000=±2.4

SCALE **4:1** SIZE **A**

REVISION

DESCRIPTION ENGINEER

D

C

B

A

D

C

B

A

4

3

2

1

4

3

2

1