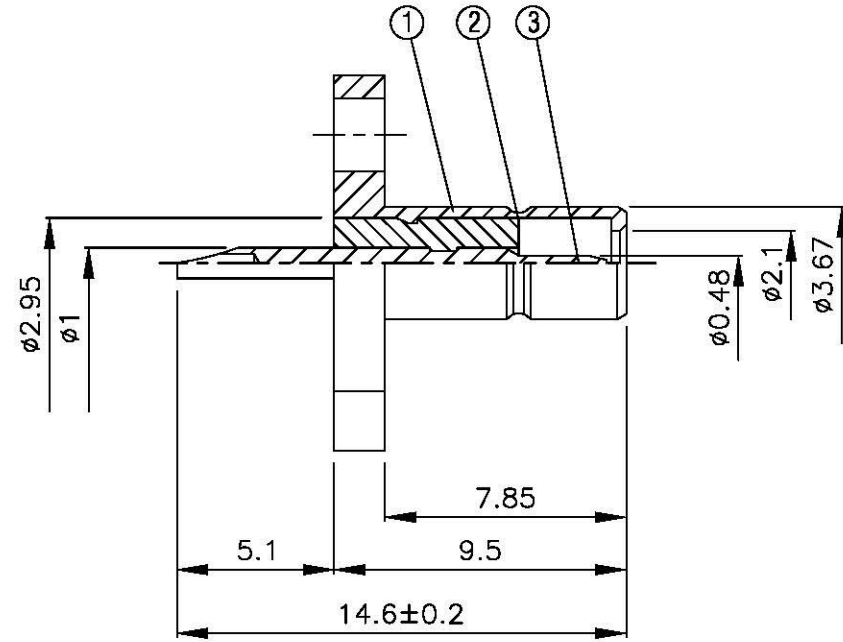
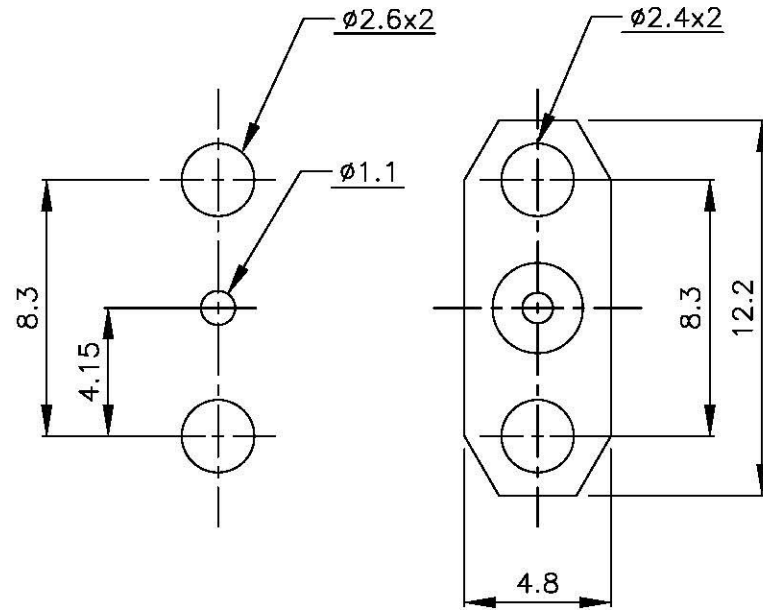
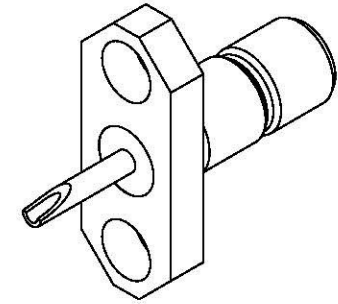


NO	DESCRIPTION	MATERIAL	Q'TY	FINISH
1	BODY	BRASS	1	GOLD
2	INSULATION	TEFLON	1	TEFLON
3	PIN	PH.BRONZE	1	GOLD



	All Connectors <small>www.allconnectors.us/ide info@allconnectors.us/ide Tel: 0049 711 2009504 Fax: 0049 711 2009504 20294 Hildersbach, Germany Kellernstr. 25</small>	DRAWN MARY DATE 96.09.04	DIMENSIONS ARE IN MILLIMETERS		REVISION	
	TITLE SMA MALE PC MOUNT	CHECKED 黄巧君 DATE	UNLESS OTHERWISE SPECIFIED TOLERANCE		DESCRIPTION	ENGINEER
	PART NO. SMB-12-TGG-75	Q.A. 蘇姿潔 DATE	0.5-5=±0.2 120-315=±1 5-30= ±0.4 315-1000=±1.6 30-120±0.6 1000-2000=±2.4			
	DRAWING NO. SMB 12 TGG 75	APPROVAL 徐燦霖 DATE	SCALE 4:1 SIZE A			
		REVISION DATE				