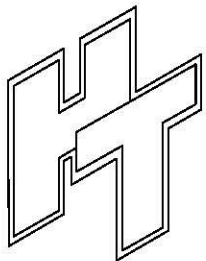
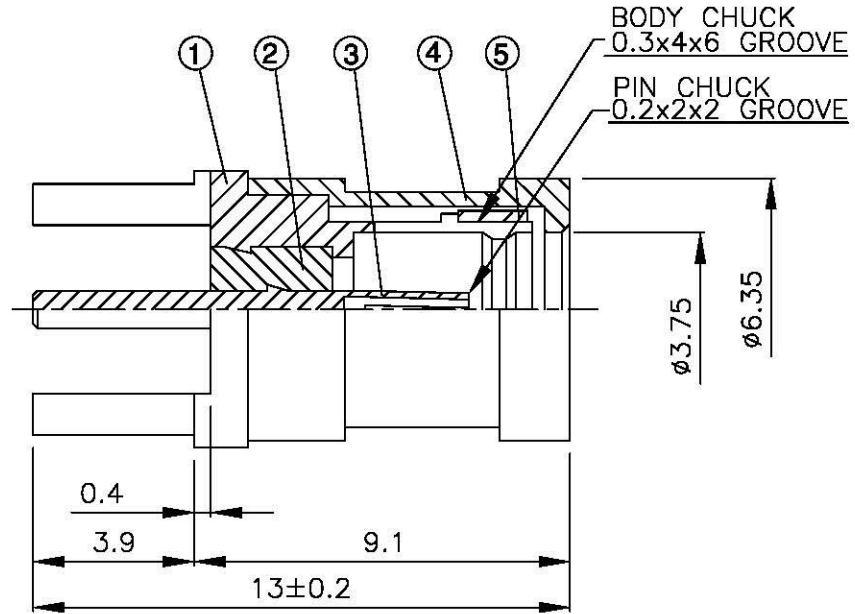
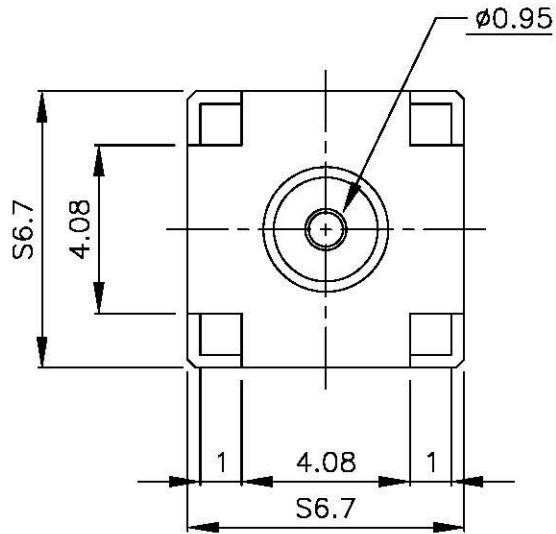
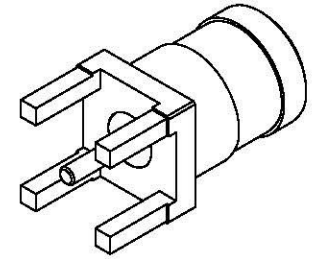


NO	DESCRIPTION	MATERIAL	Q'TY	FINISH	REMARK
1	BODY 1	BRASS	1	NICKEL	B-SMB0280-N
2	INSULATION	TEFLON	1	TEFLON	I-0073T
3	PIN	BE CU	1	GOLD	P-SMB0166-G
4	BODY 2	BRASS	1	NICKEL	B-SMB0245-N
4	WASHER	BRASS	1	NICKEL	W-0035-N



Allconnectors

www.allconnectors.de
Tel.: 0049 (0) 22 9029304
50724 Filderstadt - Germany

info@allconnectors.de
Fax: 0049 (0) 22 9029304
Kellernstr. 25

TITLE **SMB FEMALE PC MOUNT
75 OHM**

PART NO. **SMB-11-TGN-75**

DRAWING NO. **SMB 11 TGN-75**

DRAWN **MARY**

DATE **96.06.29**

CHECKED **蘇志欣**

DATE

Q.A. **蘇姿潔**

DATE

APPROVAL **徐燦霖**

DATE

REVISION

DATE

DIMENSIONS ARE IN MILLIMETERS

UNLESS OTHERWISE SPECIFIED
TOLERANCE

0.5-5=±0.2 120-315=±0.2

5-30=±0.4 315-1000=±0.4

30-120=±0.6 1000-2000=±0.6

SCALE **5:1** SIZE **A**

REVISION

DESCRIPTION ENGINEER