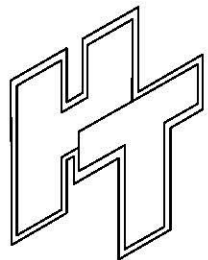
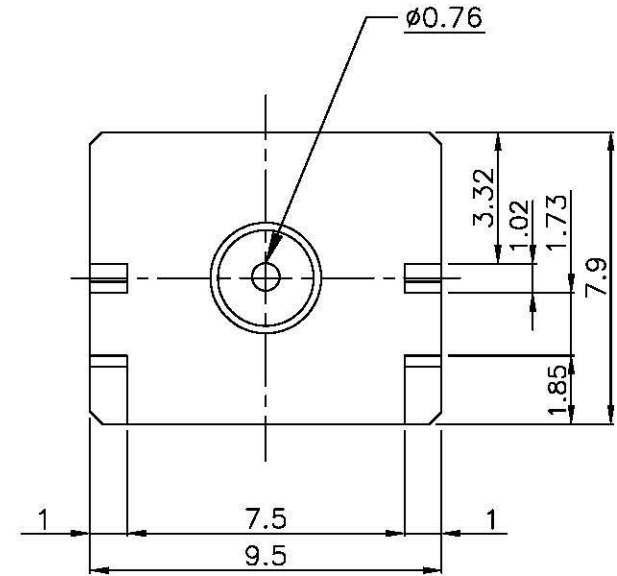
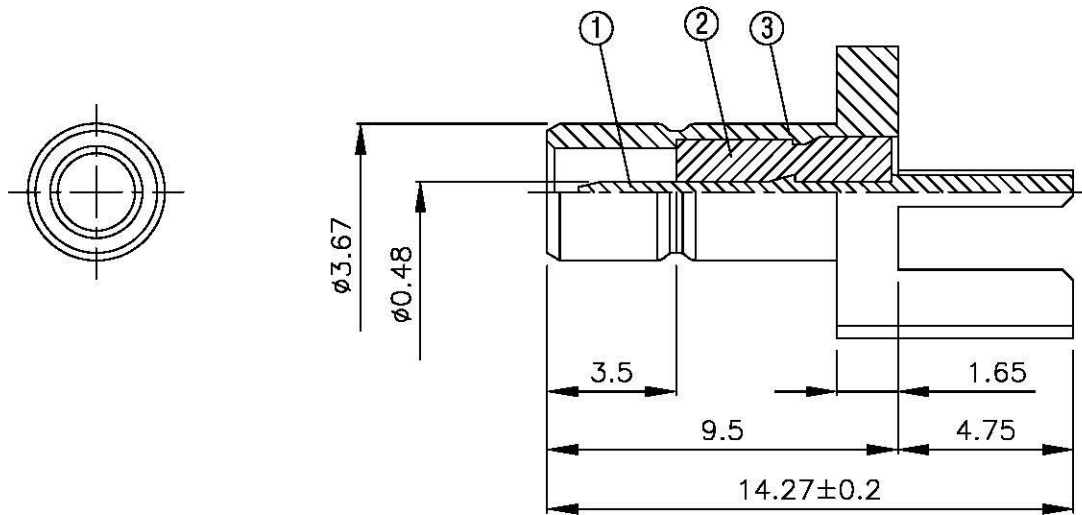
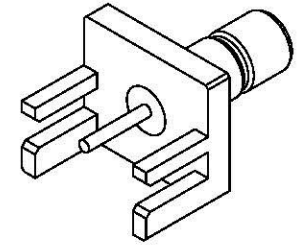


NO	DESCRIPTION	MATERIAL	Q'TY	FINISH
1	PIN	BRASS	1	GOLD
2	INSULATION	TEFLON	1	TEFLON
3	BODY	BRASS	1	GOLD



All Connectors

www.allconnectors.de
Tel.: 0049 711 7002501
70794 Hohenlocke, Germany

info@allconnectors.de
Fax: 0049 711 7002504
Rottmistr. 25

TITLE **SMB MALE END LAUNCH
75 OHM (1.57)**

PART NO. **SMB-10V5-TGG-75**

DRAWING NO. **SMB 10V5 TGG-75**

DRAWN **MARY** DATE **96.06.29**

CHECKED **蘇志欣** DATE

Q.A. **蘇姿潔** DATE

APPROVAL **徐燦霖** DATE

REVISION DATE

DIMENSIONS ARE IN MILLIMETERS

UNLESS OTHERWISE SPECIFIED
TOLERANCE

0.5-5 = ± 0.2 120-315 = ± 1

5-30 = ± 0.4 315-1000 = ± 1.6

30-120 ± 0.6 1000-2000 = ± 2.4

SCALE **4:1** SIZE **A**

REVISION

DESCRIPTION ENGINEER