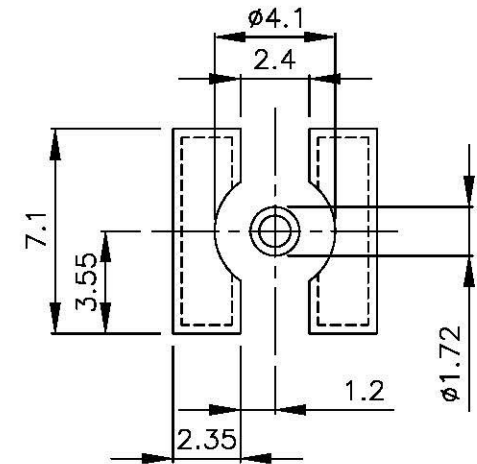
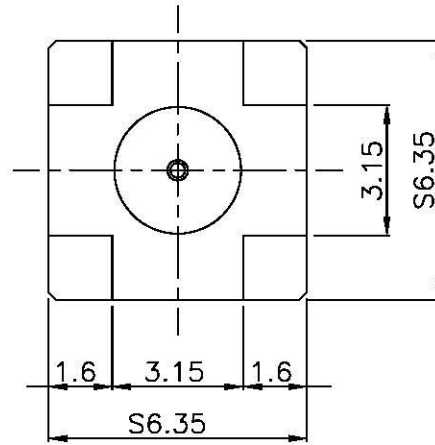
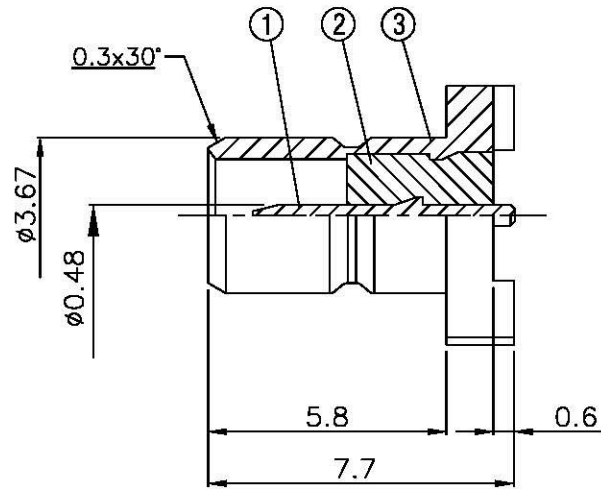
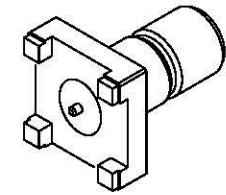


NO	DESCRIPTION	MATERIAL	Q'TY	FINISH	REMARK
1	PIN	PH.BRONZE	1	GOLD	P-SMB0364-G
2	INSULATION	TEFLON	1	TEFLON	I-0206T
3	BODY	BRASS	1	NICKEL	B-SMB0566-N



Recommended mounting pattern

		DRAWN MARY DATE 92.08.06	DIMENSIONS ARE IN MILLIMETERS		REVISION		
	<small>www.allconnectors.com Tel.: 0049 711 7008008 70791 Filzschach - Germany</small>	<small>info@allconnectors.com Fax: 0049 711 7008004 Kettnerstr. 25</small>	CHECKED 黃巧君 DATE 92.08.06	UNLESS OTHERWISE SPECIFIED TOLERANCE 0.5-5=±0.2 120-315=±1 5-30= ±0.4 315-1000=±1.6 30-120±0.6 1000-2000=±2.4		DESCRIPTION	ENGINEER
	TITLE SMB MALE PCB MOUNT 75 ohm		Q.A. 蘇姿潔 DATE				
	PART NO. SMB-10V4-TGN-75		APPROVAL 徐燦霖 DATE	SCALE 4:1	SIZE A		
	DRAWING NO. SMB-10V4-TGN-75		REVISION DATE				